



 **HYOSUNG**

## **REFERENCE**

1.The detailed specifications of each model are referred by the persons who are in charge of overseas marketing team, Hyosung.

2.Special demand

When you order any colored parts, please add color code to the end of parts number and it will be helpful to register your parts order.

### **※ Color code**

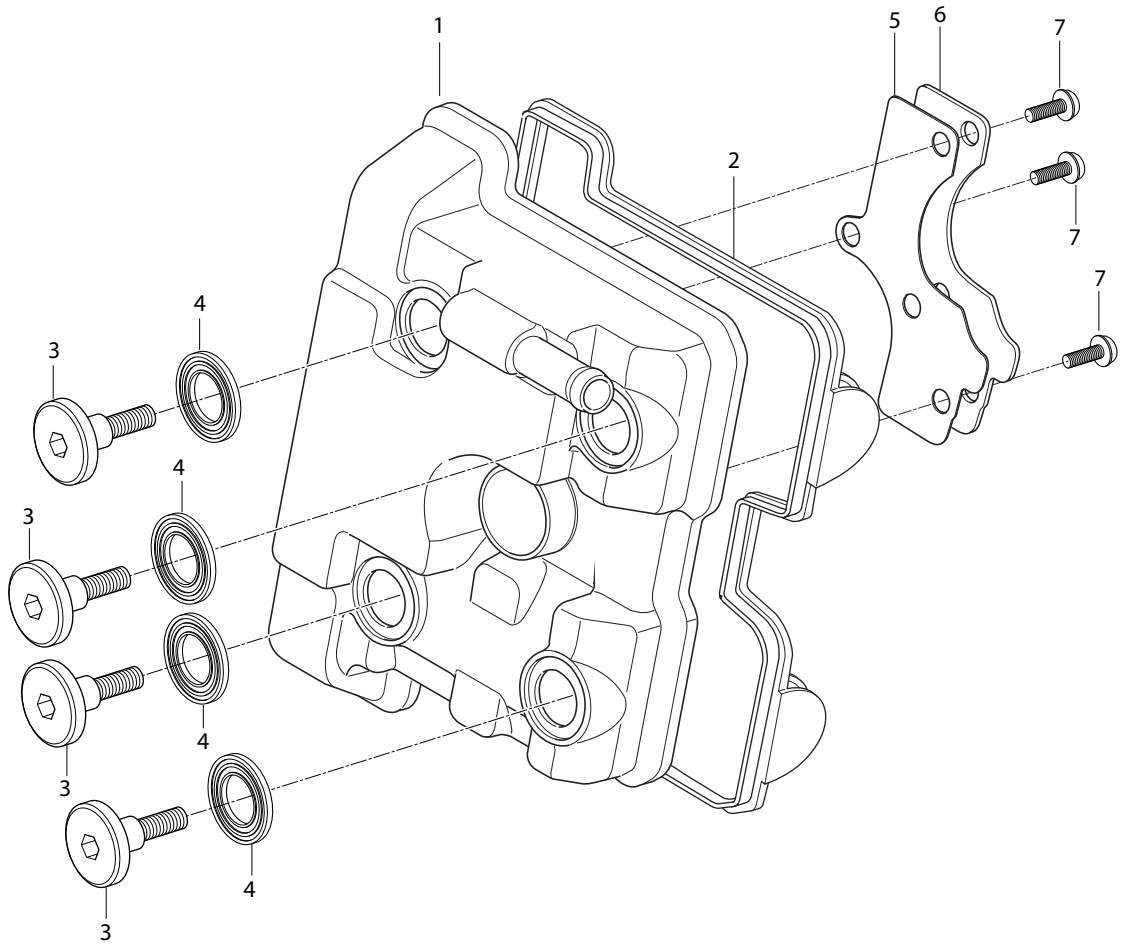
**OBN : blue**

**ODS : silver**

**OMB : black**

**HYOSUNG MOTORS & MACHINERY INC.**

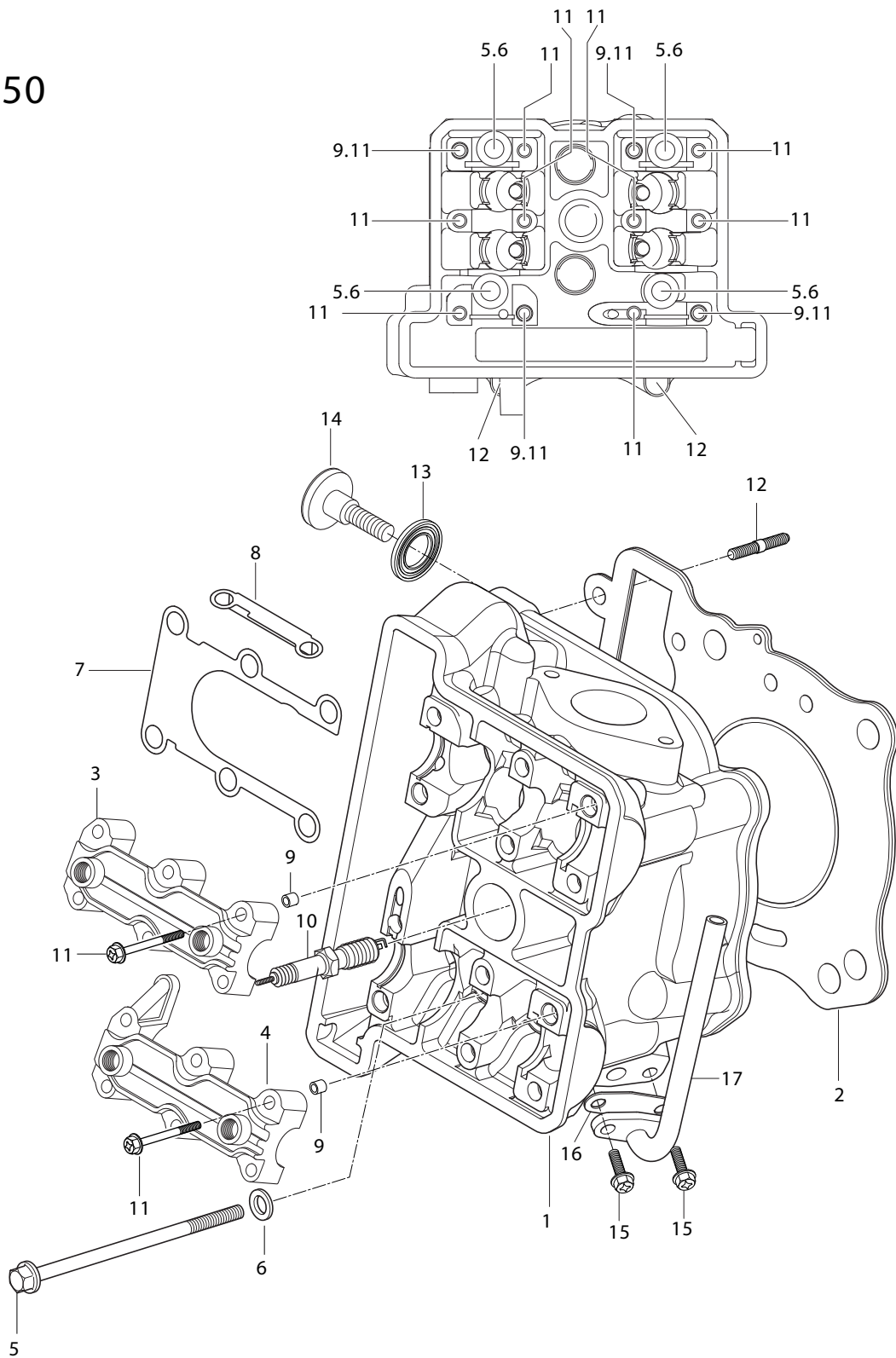
FIG.1-250



# FIG 1. CYLINDER HEAD COVER(250cc)

| REF. PARTS NO. |                         | PARTS NAME     |                | Q`TY                             | REMARKS | REC.Q'TY /<br>100 Motorcycles |
|----------------|-------------------------|----------------|----------------|----------------------------------|---------|-------------------------------|
| NO.            | 7EU01/7FO01/7G001/7SO01 | SUS01-UM       | 7US01          |                                  |         | (PCS)                         |
| 1              | 11170HP7600888          | 11170HP7600888 | 11170HP7600888 | COVER, cylinder head             | 1       | <b>10</b>                     |
| 2              | 11173HP7600             | 11173HP7600    | 11173HP7600    | GASKET, cylinder head cover      | 1       | <b>30</b>                     |
| 3              | 09109H07018             | 09109H07018    | 09109H07018    | BOLT, cylinder head cover        | 4       |                               |
| 4              | 09161H11008             | 09161H11008    | 09161H11008    | WASHER, cylinder head cover bolt | 4       |                               |
| 5              | 11176HP7600             | 11176HP7600    | 11176HP7600    | COVER, breather No.1             | 1       | <b>10</b>                     |
| 6              | 11178HP7600             | 11178HP7600    | 11178HP7600    | GASKET, breather cover No.1      | 1       | <b>30</b>                     |
| 7              | 02142-04088             | 02142-04088    | 02142-04088    | BOLT, breather cover             | 3       |                               |

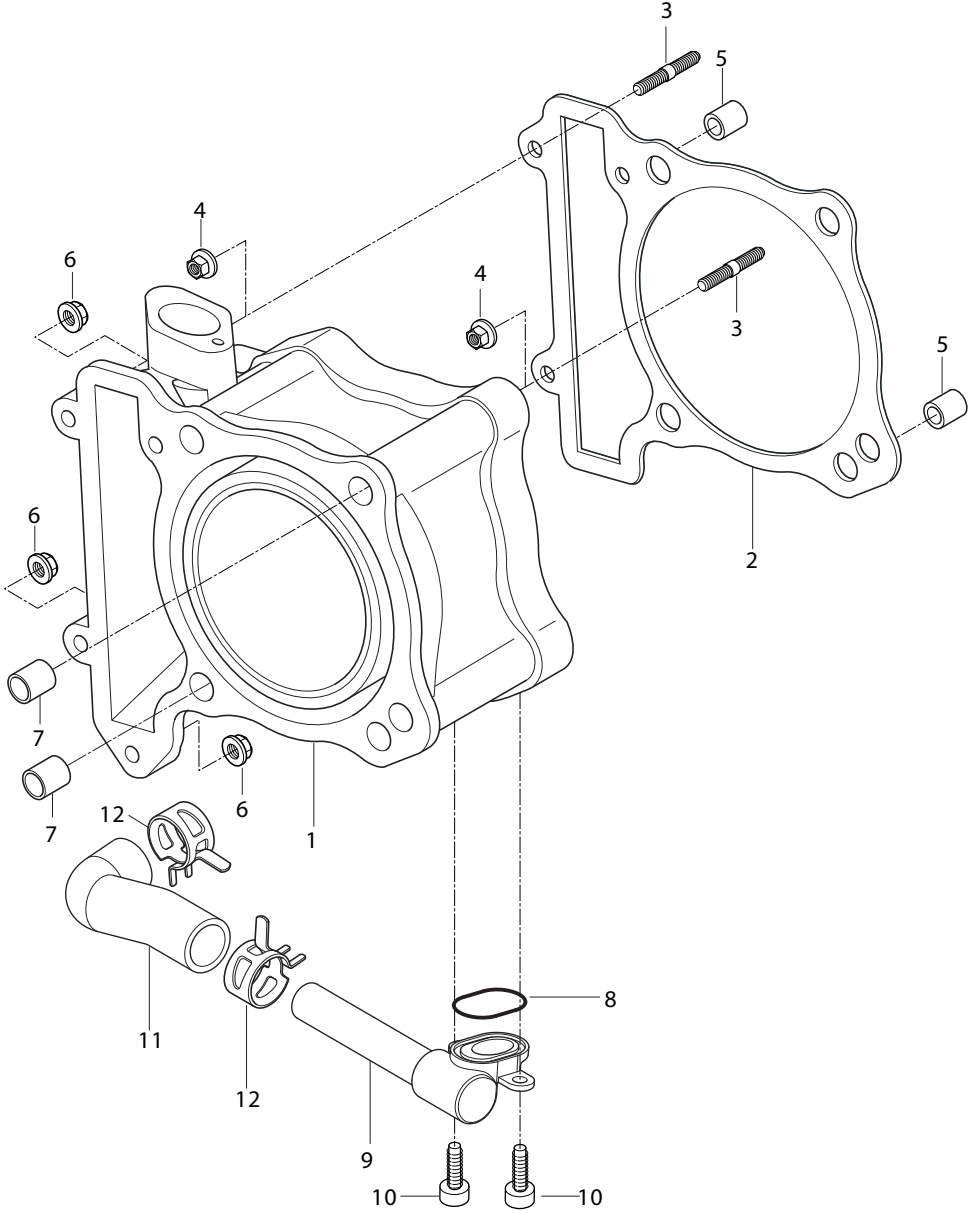
FIG.2-250



# FIG 2. CYLINDER HEAD(250cc)

| REF. PARTS NO. |                         |                |                | PARTS NAME                           | Q`TY | REMARKS | REC.Q`TY /      |
|----------------|-------------------------|----------------|----------------|--------------------------------------|------|---------|-----------------|
| NO.            | 7EU01/7FO01/7G001/7SO01 | SUS01-UM       | 7US01          |                                      |      |         | 100 Motorcycles |
|                |                         |                |                |                                      |      |         | (PCS)           |
| 1              | 11100HP8800HPA          | 11100HP8800HPA | 11100HP8800HPA | HEAD FULL ASS'Y,cylinder including v | 1    |         | 5               |
| 1-A            | 11110SP8800HPA          | 11110SP8800HPA | 11110SP8800HPA | HEAD HALF ASS'Y, cylinder            | 1    |         | 10              |
| 2              | 11141HP8800             | 11141HP8800    | 11141HP8800    | GASKET, cylinder head                | 1    |         | 30              |
| 3              | 11131HP7600888          | 11131HP7600888 | 11131HP7600888 | HOUSING, CAMSHAFT INTAKE             | 2    |         | 10              |
| 4              | 11132HP7600888          | 11132HP7600888 | 11132HP7600888 | HOUSING, CAMSHAFT EXHAUST            | 2    |         | 10              |
| 5              | 09103H10005             | 09103H10005    | 09103H10005    | BOLT, cylinder head NO.1 (M10)       | 4    |         |                 |
| 6              | 09160H10002             | 09160H10002    | 09160H10002    | WASHER, cylinder head bolt           | 4    |         |                 |
| 7              | 11187HP7600             | 11187HP7600    | 11187HP7600    | COVER, breather NO.2                 | 1    |         |                 |
| 8              | 11188HP7600             | 11188HP7600    | 11188HP7600    | COVER, breather NO.3                 | 1    |         |                 |
| 9              | 09206-08001             | 09206-08001    | 09206-08001    | KNOCK PIN, camshaft housing          | 4    |         |                 |
| 10             | 09482-00456HAS          | 09482-00456HAS | 09482-00456HAS | SPARK PLUG, cr8e                     | 1    |         | 50              |
| 11             | 07110-06408             | 07110-06408    | 07110-06408    | BOLT, camshaft housing               | 12   |         |                 |
| 12             | 01421-06258             | 01421-06258    | 01421-06258    | BOLT, cylinder head stud             | 3    |         |                 |
| 13             | 09161H11008             | 09161H11008    | 09161H11008    | WASHER, cam chain tensioner bolt     | 1    |         |                 |
| 14             | 12812HP7600             | 12812HP7600    | 12812HP7600    | BOLT, cam chain tensioner            | 1    |         |                 |

FIG.3-250

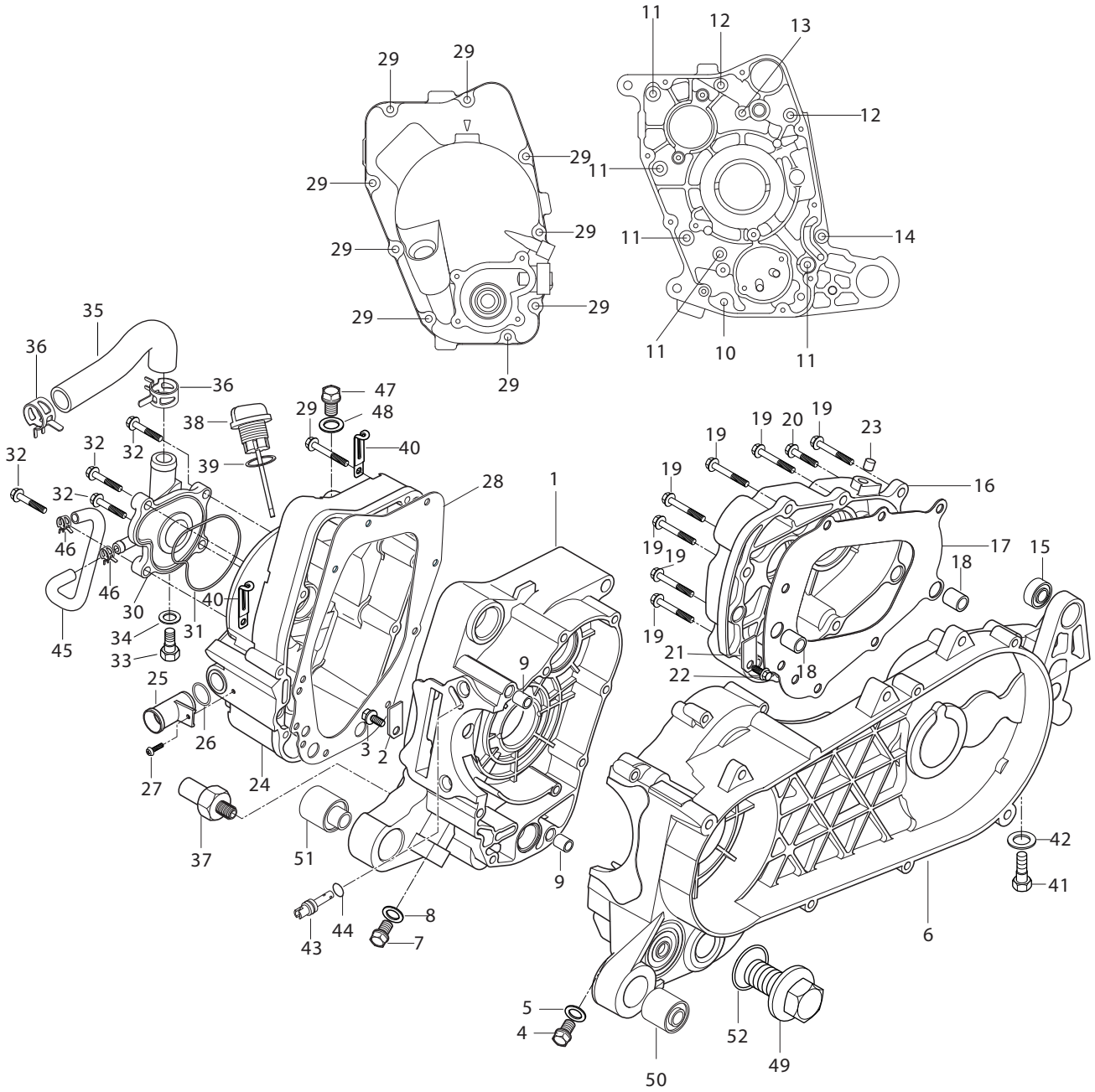


# FIG 3. CYLINDER(250cc)

| REF. PARTS NO. |                         |                |                | PARTS NAME                       | Q`TY | REMARKS | REC.Q'TY /      |
|----------------|-------------------------|----------------|----------------|----------------------------------|------|---------|-----------------|
| NO.            | 7EU01/7FO01/7G001/7SO01 | SUS01-UM       | 7US01          |                                  |      |         | 100 Motorcycles |
|                |                         |                |                |                                  |      |         | (PCS)           |
| 1              | 11210HP8800HPA          | 11210HP8800HPA | 11210HP8800HPA | CYLINDER COMP                    | 1    |         | 2               |
| 2              | 11241HP7600             | 11241HP7600    | 11241HP7600    | GASKET, cylinder (NA)            | 1    |         | 30              |
| 3              | 01421-06258             | 01421-06258    | 01421-06258    | BOLT, cylinder stud              | 2    |         |                 |
| 4              | 08316-16068             | 08316-16068    | 08316-16068    | NUT, cylinder                    | 2    |         |                 |
| 5              | 04213-13189             | 04213-13189    | 04213-13189    | KNOCK PIN, cylinder              | 2    |         |                 |
| 6              | 08316-16068             | 08316-16068    | 08316-16068    | NUT, cylinder head               | 3    |         |                 |
| 7              | 04213-13189             | 04213-13189    | 04213-13189    | KNOCK PIN, cylinder head         | 2    |         |                 |
| 8              | 17541HP7600             | 17541HP7600    | 17541HP7600    | O-RING, water pump connector cap | 1    |         |                 |
| 9              | 17530HP7602             | 17530HP7602    | 17530HP7602    | CAP COMP, water pump connector   | 1    |         |                 |
| 10             | 09106-06030             | 09106-06030    | 09106-06030    | BOLT, water pump connector cap   | 2    |         |                 |
| 11             | 17491HP8800             | 17491HP8800    | 17491HP8800    | HOSE, water pump outlet          | 1    |         |                 |
| 12             | 09401H22401             | 09401H22401    | 09401H22401    | CLAMP, water pump outlet hose    | 2    |         |                 |



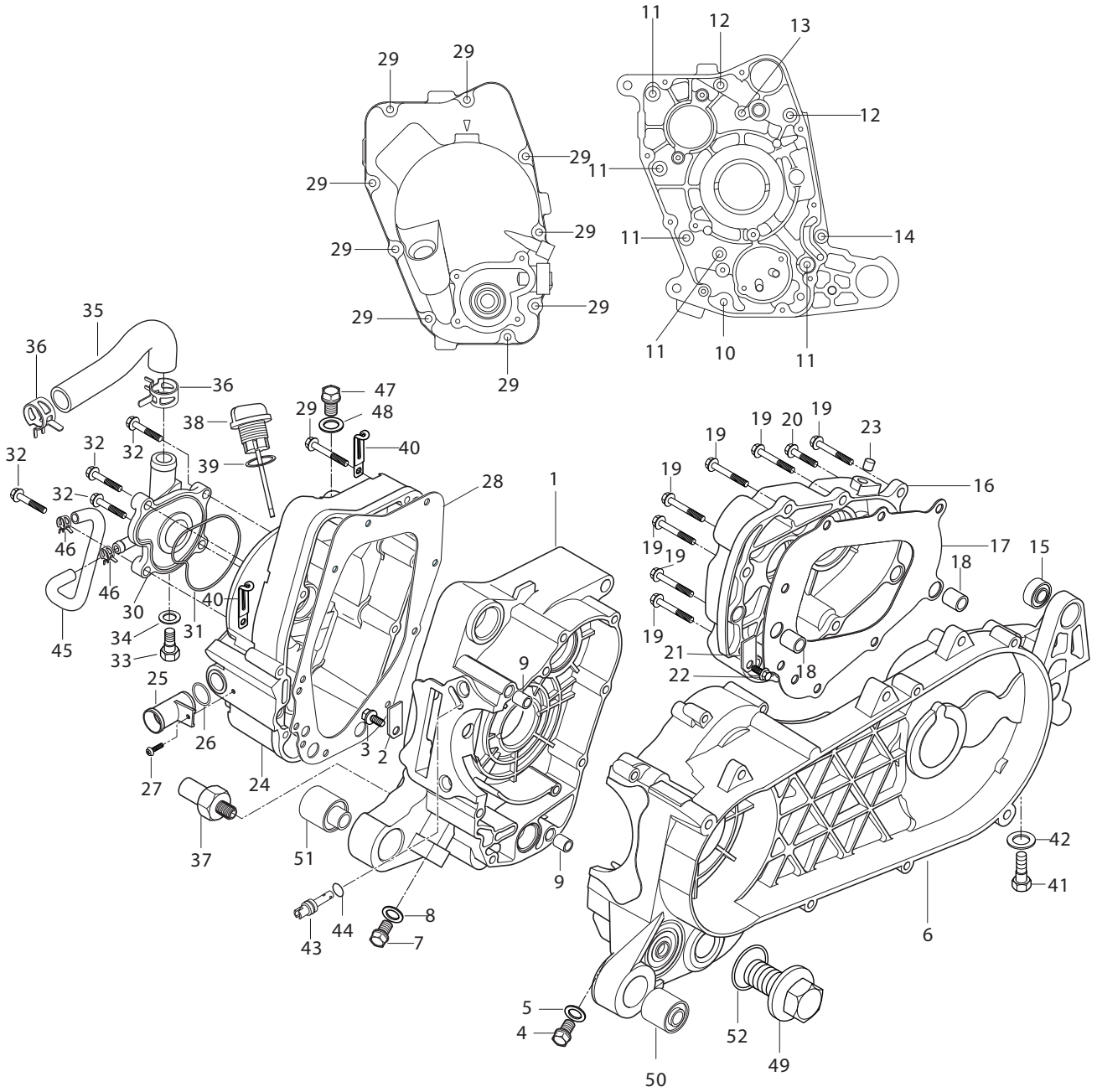
FIG.4-250



# FIG 4. CRANKCASE & GEAR BOX COVER(250cc)

| REF. PARTS NO. |                         |                |                | PARTS NAME                    | Q`TY | REMARKS | REC.Q`TY /      |
|----------------|-------------------------|----------------|----------------|-------------------------------|------|---------|-----------------|
| NO.            | 7EU01/7FO01/7G001/7SO01 | SUS01-UM       | 7US01          |                               |      |         | 100 Motorcycles |
|                |                         |                |                |                               |      |         | (PCS)           |
| 1              | 11310HP8800HPA          | 11310HP8800HPA | 11310HP8800HPA | CRANKCASE ASS'Y R             | 1    |         | 5               |
| 2              | 11393-29A01             | 11393-29A01    | 11393-29A01    | MAGNETO                       | 1    |         |                 |
| 3              | 01517-06128             | 01517-06128    | 01517-06128    | BOLT, magneto                 | 1    |         |                 |
| 4              | 01514-08128             | 01514-08128    | 01514-08128    | BOLT, oil gallery             | 1    |         |                 |
| 5              | 09168-08015             | 09168-08015    | 09168-08015    | GASKET, oil gallery bolt      | 1    |         | 30              |
| 6              | 11320HP8800HPA          | 11320HP8800HPA | 11320HP8800HPA | CRANKCASE ASS'Y, L            | 1    |         |                 |
| 7              | 01514-08128             | 01514-08128    | 01514-08128    | BOLT, oil gallery             | 1    |         |                 |
| 8              | 09168-08015             | 09168-08015    | 09168-08015    | GASKET, oil gallery bolt      | 1    |         | 30              |
| 9              | 04213-11169             | 04213-11169    | 04213-11169    | PIN, crankcase knock          | 2    |         |                 |
| 10             | 01547-06408             | 01547-06408    | 01547-06408    | BOLT, crankcase R             | 1    |         |                 |
| 11             | 01547-06508             | 01547-06508    | 01547-06508    | BOLT, crankcase R             | 5    |         |                 |
| 12             | 01547-06758             | 01547-06758    | 01547-06758    | BOLT, crankcase R             | 2    |         |                 |
| 13             | 01547-06858             | 01547-06858    | 01547-06858    | BOLT, crankcase R             | 1    |         |                 |
| 14             | 09103H06003             | 09103H06003    | 09103H06003    | BOLT, crankcase R(L=100)      | 1    |         |                 |
| 15             | 09319-10032             | 09319-10032    | 09319-10032    | BUSH, rear shock absorber     | 1    |         |                 |
| 16             | 11431HP880003P          | 11431HP880003P | 11431HP880003P | COVER, gear box               | 1    |         |                 |
| 17             | 11484HP7600             | 11484HP7600    | 11484HP7600    | GASKET, gear box cover (NA)   | 1    |         |                 |
| 18             | 04213-13189             | 04213-13189    | 04213-13189    | PIN, gear box cover knock     | 2    |         |                 |
| 19             | 07120-08308             | 07120-08308    | 07120-08308    | BOLT, gear box cover          | 7    |         |                 |
| 20             | 09106H08458             | 09106H08458    | 09106H08458    | BOLT, gear box cover          | 1    |         |                 |
| 21             | 11393-29A01             | 11393-29A01    | 11393-29A01    | MAGNETO                       | 1    |         |                 |
| 22             | 01517-06128             | 01517-06128    | 01517-06128    | BOLT, magneto                 | 1    |         |                 |
| 23             | 09250H11005             | 09250H11005    | 09250H11005    | PLUG, oil fillet              | 1    |         |                 |
| 24             | 11350HP760003P          | 11350HP760003P | 11350HP760003P | COVER COMP, magneto           | 1    |         |                 |
| 25             | 17480HP7600             | 17480HP7600    | 17480HP7600    | UNION COMP, water pump hose   | 1    |         |                 |
| 26             | 09280H17005             | 09280H17005    | 09280H17005    | O-RING, water pump hose union | 1    |         |                 |
| 27             | 07110-06128             | 07110-06128    | 07110-06128    | BOLT, water pump hose union   | 1    |         |                 |
| 28             | 11483HP7600             | 11483HP7600    | 11483HP7600    | GASKET, magneto cover (NA)    | 1    |         |                 |

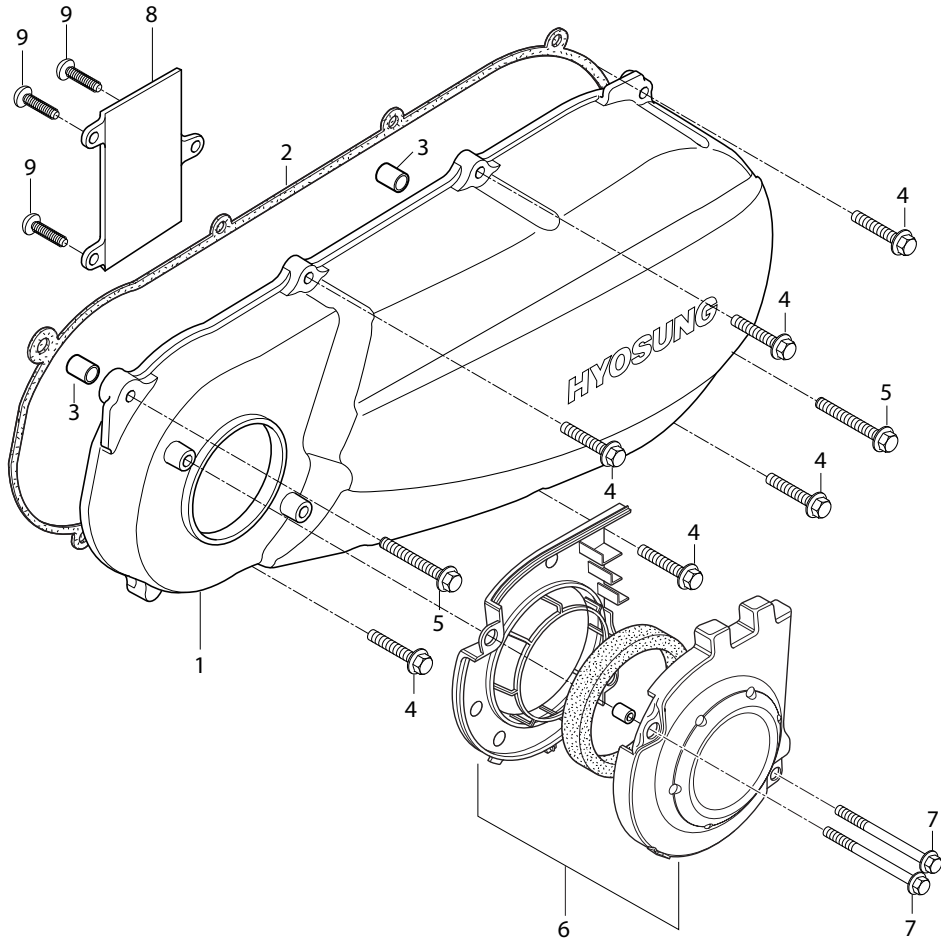
FIG.4-250



# FIG 4. CRANKCASE & GEAR BOX COVER(250cc)

| REF. PARTS NO. |                         |             |             | PARTS NAME                    | Q`TY | REMARKS | REC.Q`TY /      |
|----------------|-------------------------|-------------|-------------|-------------------------------|------|---------|-----------------|
| NO.            | 7EU01/7FO01/7G001/7SO01 | SUS01-UM    | 7US01       |                               |      |         | 100 Motorcycles |
|                |                         |             |             |                               |      |         | (PCS)           |
| 29             | 01547-06208             | 01547-06208 | 01547-06208 | BOLT, magneto cover           | 6    |         |                 |
| 30             | 17410HP7600             | 17410HP7600 | 17410HP7600 | CASE COMP, water pump         | 1    |         | 20              |
| 31             | 17461HP7600             | 17461HP7600 | 17461HP7600 | O-RING, water pump case       | 1    |         |                 |
| 32             | 01547-06208             | 01547-06208 | 01547-06208 | BOLT, water pump case         | 4    |         |                 |
| 33             | 09247H08001             | 09247H08001 | 09247H08001 | BOLT, drain                   | 1    |         |                 |
| 34             | 09168H08001             | 09168H08001 | 09168H08001 | GASKET, drain bolt            | 1    |         |                 |
| 35             | 17771HP7600             | 17771HP7600 | 17771HP7600 | HOSE, rachator outlet NO.2    | 1    |         |                 |
| 36             | 09401H22401             | 09401H22401 | 09401H22401 | CLAMP, water pump outlet hose | 2    |         | 30              |
| 37             | 37820HS7600             | 37820HS7600 | 37820HS7600 | SWITCH ASS'Y, oil pressure    | 1    |         |                 |
| 38             | 11971HP7600             | 11971HP7600 | 11971HP7600 | GAUGE, oil level              | 1    |         |                 |
| 39             | 09280H17003             | 09280H17003 | 09280H17003 | O-RING, oil level gauge       | 1    |         | 10              |
| 40             | 09403H09304             | 09403H09304 | 09403H09304 | CLAMP                         | 2    |         | 10              |
| 41             | 09247-100A8             | 09247-100A8 | 09247-100A8 | PLUG, drain                   | 1    |         |                 |
| 42             | 09168H10003             | 09168H10003 | 09168H10003 | GASKET, drain plug            | 1    |         |                 |
| 43             | 11411HN9100             | 11411HN9100 | 11411HN9100 | JET, oil cylinder             | 1    |         |                 |
| 44             | 09280H04002             | 09280H04002 | 09280H04002 | O-RING, oil jet               | 1    |         |                 |
| 45             | 17641HP7600             | 17641HP7600 | 17641HP7600 | HOSE, thermostat bypass       | 1    |         |                 |
| 46             | 09401H13401             | 09401H13401 | 09401H13401 | CLAMP, thermostat bypass hose | 2    |         |                 |
| 47             | 09247H12012             | 09247H12012 | 09247H12012 | PLUG, tdc                     | 1    |         |                 |
| 48             | 09168H12003             | 09168H12003 | 09168H12003 | GASKET, tdc plug              | 1    |         |                 |
| 49             | 09247H28001             | 09247H28001 | 09247H28001 | PLUG, oil drain               | 1    |         |                 |
| 50             | 09319H10056             | 09319H10056 | 09319H10056 | BUSH, engine mounting L       | 1    |         |                 |
| 51             | 09319H10066             | 09319H10066 | 09319H10066 | BUSH, engine mounting R       | 1    |         |                 |
| 52             | 09280H32006             | 09280H32006 | 09280H32006 | O-RING, drain plug            | 1    |         |                 |

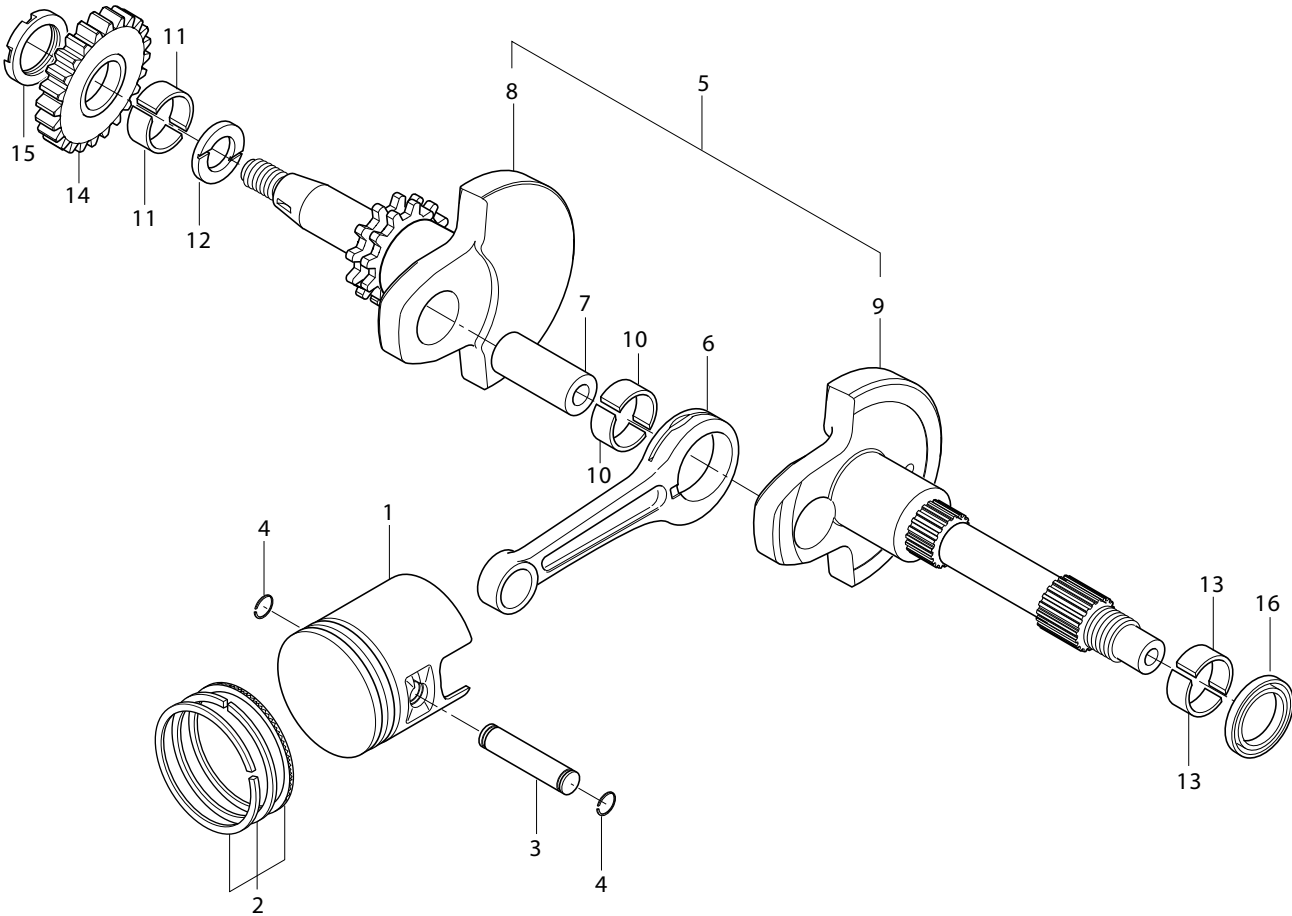
FIG.5-250



# FIG 5. CLUTCH COVER(250cc)

| REF. PARTS NO. |                         |                |                | PARTS NAME                    | Q`TY | REMARKS | REC.Q`TY /      |
|----------------|-------------------------|----------------|----------------|-------------------------------|------|---------|-----------------|
| NO.            | 7EU01/7FO01/7G001/7SO01 | SUS01-UM       | 7US01          |                               |      |         | 100 Motorcycles |
|                |                         |                |                |                               |      |         | (PCS)           |
| 1              | 11341SP8800HPA          | 11341SS8800HPA | 11341SP8800HPA | COVER, clutch                 | 1    |         | 5               |
| 2              | 11485HP7601             | 11485HP7601    | 11485HP7601    | GASKET, clutch cover (NA)     | 1    |         | 10              |
| 3              | 04213-13189             | 04213-13189    | 04213-13189    | PIN, clutch cover knock       | 2    |         |                 |
| 4              | 01547-06258             | 01547-06258    | 01547-06258    | BOLT, clutch cover            | 6    |         |                 |
| 5              | 01547-06358             | 01547-06358    | 01547-06358    | BOLT, clutch cover            | 2    |         |                 |
| 6              | 17200HP8800             | 17200HP8800    | 17200HP8800    | CASE ASS'Y, crankcase cleaner | 1    |         | 10              |
| 7              | 01517-06165             | 01517-06165    | 01517-06165    | BOLT, crankcase cleaner       | 2    |         |                 |
| 8              | 11346HP7600             | 11346HP7600    | 11346HP7600    | PLATE, clutch cover           | 1    |         |                 |
| 9              | 02112-06108             | 02112-06108    | 02112-06108    | SCREW, clutch cover plate     | 3    |         |                 |

FIG.6-250



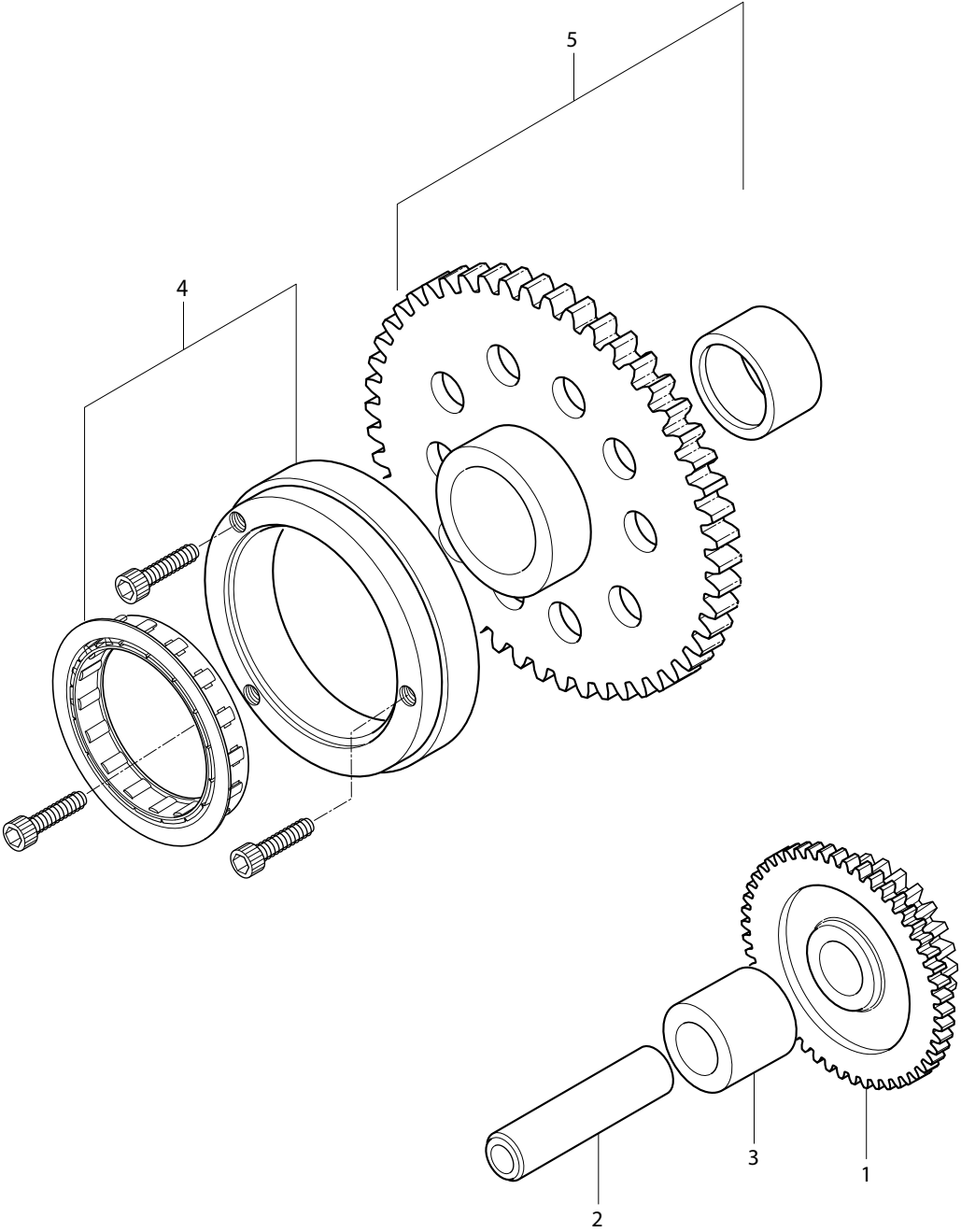
**FWD**

# FIG 6. CRANK SHAFT(250cc)

| REF. PARTS NO. |                         |                |                | PARTS NAME                  | Q`TY | REMARKS | REC.Q'TY /      |
|----------------|-------------------------|----------------|----------------|-----------------------------|------|---------|-----------------|
| NO.            | 7EU01/7FO01/7G001/7SO01 | SUS01-UM       | 7US01          |                             |      |         | 100 Motorcycles |
|                |                         |                |                |                             |      |         | (PCS)           |
| 1              | 12111HP8800PPS          | 12111HP8800PPS | 12111HP8800PPS | PISTON COMP                 | 1    |         | <b>10</b>       |
| *              | 12110SP8800HPA          | 12110SP8800HPA | 12110SP8800HPA | PISTON SET                  |      |         |                 |
| 2              | 12141HP8800             | 12141HP8800    | 12141HP8800    | RING, piston 1st            | 1    |         | <b>10</b>       |
|                | 12142HP8800             | 12142HP8800    | 12142HP8800    | RING, piston 2nd            |      |         |                 |
|                | 12144HP8800             | 12144HP8800    | 12144HP8800    | RING, piston oil            |      |         |                 |
| 3              | 12151HP8801             | 12151HP8801    | 12151HP8801    | PIN, piston                 | 1    |         |                 |
| 4              | 09381H19001             | 09381H19001    | 09381H19001    | CIRCLIP, piston pin         | 2    |         | <b>10</b>       |
| 5              | 12200HP8800HPA          | 12200HP8800HPA | 12200HP8800HPA | CRANKSHAFT ASS'Y            | 1    |         | <b>5</b>        |
| 6              | 12161HP8801             | 12161HP8801    | 12161HP8801    | ROD, connecting             | 1    |         | <b>5</b>        |
| 7              | 12211HP8800HPA          | 12211HP8800HPA | 12211HP8800HPA | PIN SET, crank              | 1    |         | <b>5</b>        |
| 8              | 12221HP8800CSA          | 12221HP8800CSA | 12221HP8800CSA | CRANKSHAFT, R               | 1    |         | <b>5</b>        |
| 9              | 12261HP8800CSA          | 12261HP8800CSA | 12261HP8800CSA | CRANKSHAFT, L               | 1    |         | <b>5</b>        |
| 10             | 12218HP8800             | 12218HP8800    | 12218HP8800    | BEARING, crank pin          | 1    |         | <b>5</b>        |
| 11             | 12228HP7600             | 12228HP7600    | 12228HP7600    | BEARING, crankshaft R       | 2    |         | <b>5</b>        |
| 12             | 12229HP7600             | 12229HP7600    | 12229HP7600    | WASHER, crankshaft thrust R | 1    |         |                 |
| 13             | 12268HP7600             | 12268HP7600    | 12268HP7600    | BEARING, crankshaft L       | 2    |         |                 |
| 14             | 12661HP8800             | 12661HP8800    | 12661HP8800    | GEAR, crank balancer drive  | 1    |         |                 |
| 15             | 09140H35001             | 09140H35001    | 09140H35001    | NUT, crank balancer drive   | 1    |         |                 |
| 16             | 09283H28001             | 09283H28001    | 09283H28001    | SEAL, crankshaft l oil      | 1    |         |                 |



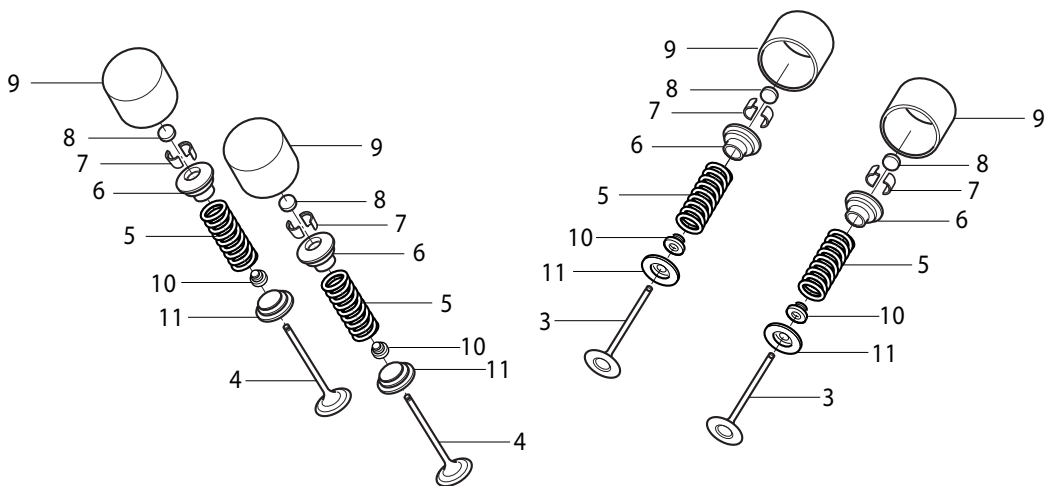
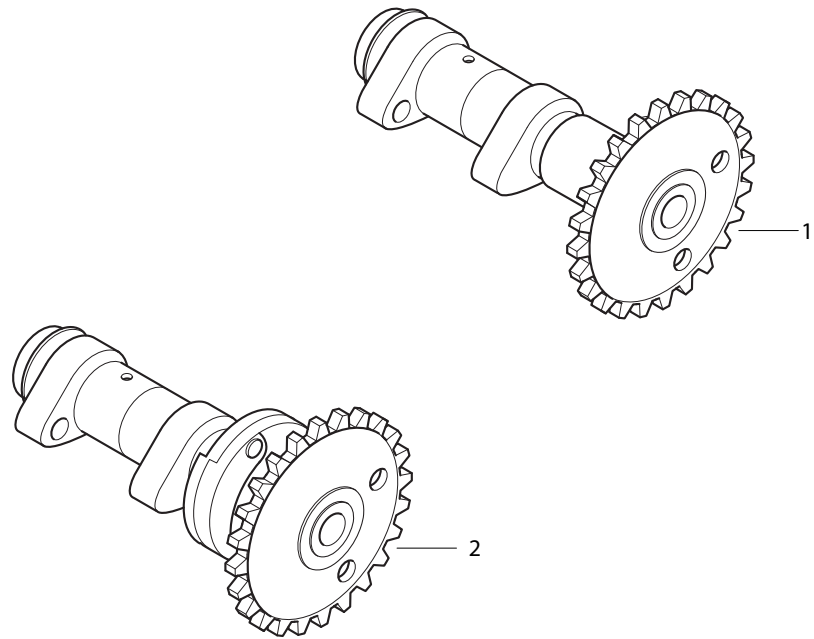
FIG.7-250



# FIG 7. STARTER CLUTCH(250cc)

| REF. PARTS NO. |                         |             |             | PARTS NAME                | Q`TY | REMARKS | REC.Q'TY /      |
|----------------|-------------------------|-------------|-------------|---------------------------|------|---------|-----------------|
| NO.            | 7EU01/7FO01/7G001/7SO01 | SUS01-UM    | 7US01       |                           |      |         | 100 Motorcycles |
|                |                         |             |             |                           |      |         | (PCS)           |
| 1              | 12611HP8800             | 12611HP8800 | 12611HP8800 | GEAR, starter idle        | 1    |         | 5               |
| 2              | 12612HP7600             | 12612HP7600 | 12612HP7600 | SHAFT, starter idle gear  | 1    |         | 5               |
| 3              | 09180H13001             | 09180H13001 | 09180H13001 | SPACER, starter idle gear | 1    |         |                 |
| 4              | 12614HP8800             | 12614HP8800 | 12614HP8800 | CLUTCH, starter one-way   | 1    |         | 5               |
| 5              | 12620HP8800             | 12620HP8800 | 12620HP8800 | GEAR COMP, starter clutch | 1    |         | 5               |

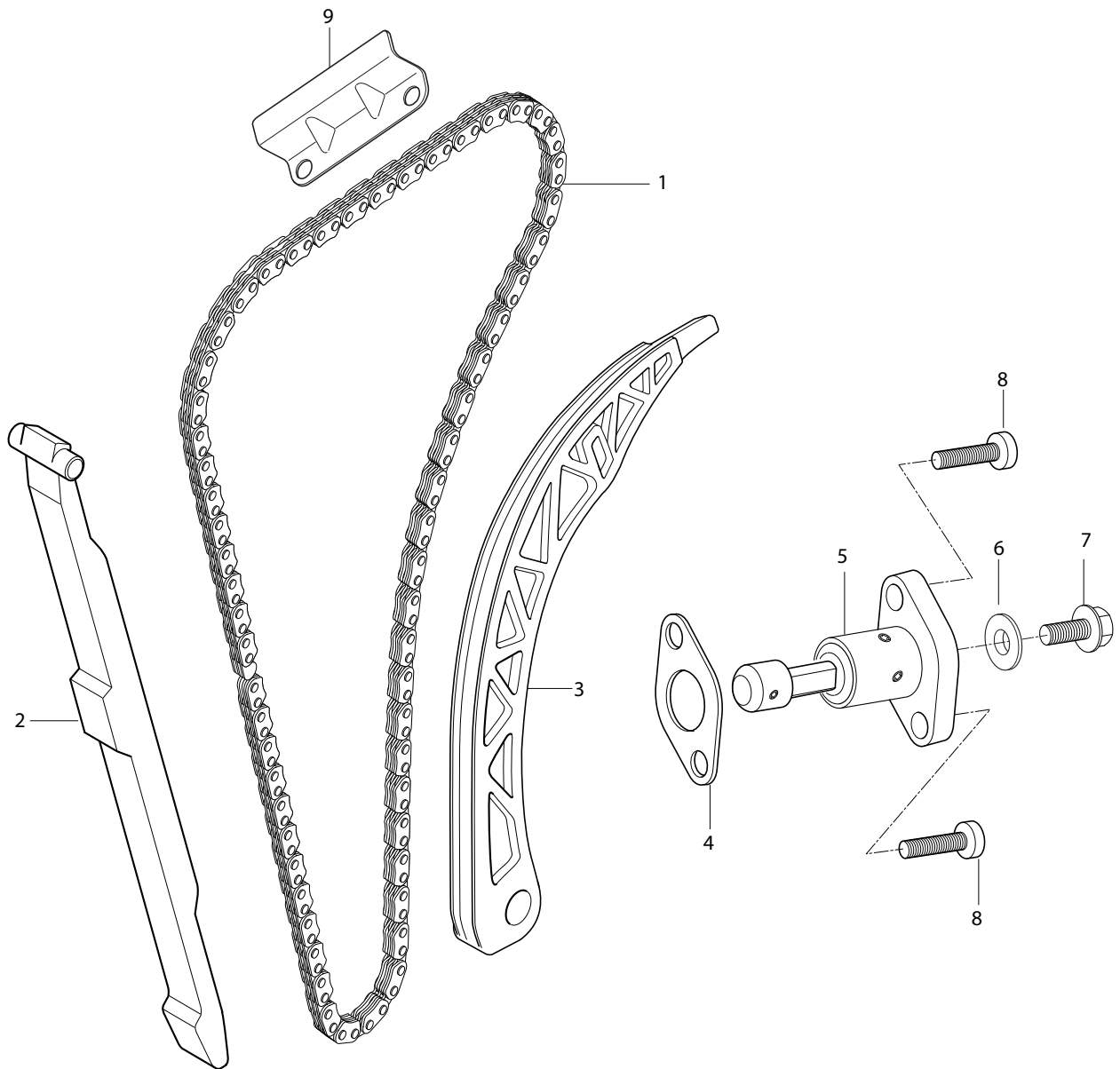
FIG.8-250



# FIG 8. CAM SHAFT(250cc)

| REF. PARTS NO. |                         |                |                | PARTS NAME             | Q`TY | REMARKS | REC.Q'TY /<br>100 Motorcycles |
|----------------|-------------------------|----------------|----------------|------------------------|------|---------|-------------------------------|
| NO.            | 7EU01/7FO01/7G001/7SO01 | SUS01-UM       | 7US01          |                        |      |         | (PCS)                         |
| 1              | 12711HP8800888          | 12711HP8800888 | 12711HP8800888 | CAMSHAFT COMP, intake  | 1    |         | 5                             |
| 2              | 12721HP8800888          | 12721HP8800888 | 12721HP8800888 | CAMSHAFT COMP, exhaust | 1    |         | 5                             |
| 3              | 12911HP8800             | 12911HP8800    | 12911HP8800    | VALVE, intake          | 2    |         | 5                             |
| 4              | 12912HP8800             | 12912HP8800    | 12912HP8800    | VALVE, exhaust         | 2    |         | 5                             |
| 5              | 12921HP8800             | 12921HP8800    | 12921HP8800    | SPRING, valve          | 4    |         |                               |
| 6              | 12931HJ8200             | 12931HJ8200    | 12931HJ8200    | RETAINER, valve spring | 4    |         |                               |
| 7              | 12932HJ8200             | 12932HJ8200    | 12932HJ8200    | COTTER, valve          | 8    |         |                               |
| 8              | 12892-05C00             | 12892-05C00    | 12892-05C00    | SHIM, tappet           | 4    |         |                               |
| 9              | 12881HJ8200             | 12881HJ8200    | 12881HJ8200    | TAPPET                 | 4    |         |                               |
| 10             | 09289H04002             | 09289H04002    | 09289H04002    | SEAL, valve stem oil   | 4    |         |                               |
| 11             | 12933HJ8200             | 12933HJ8200    | 12933HJ8200    | SEAT, valve spring     | 4    |         |                               |

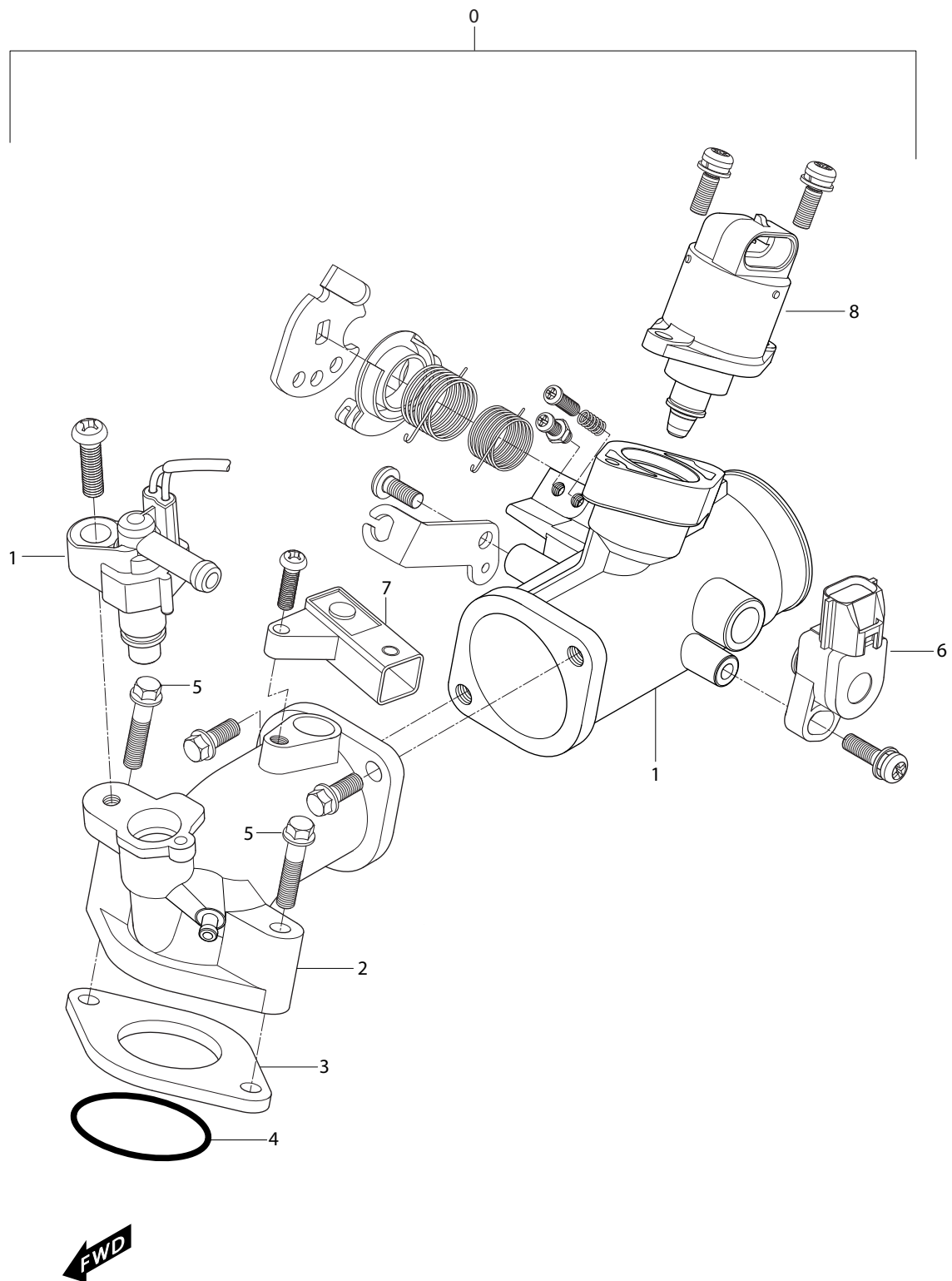
FIG.9-250



# FIG 9. CAM CHAIN(250cc)

| REF. PARTS NO. |                         |             |             | PARTS NAME                      | Q`TY | REMARKS | REC.Q`TY /      |
|----------------|-------------------------|-------------|-------------|---------------------------------|------|---------|-----------------|
| NO.            | 7EU01/7FO01/7G001/7SO01 | SUS01-UM    | 7US01       |                                 |      |         | 100 Motorcycles |
|                |                         |             |             |                                 |      |         | (PCS)           |
| 1              | 12760HP8800             | 12760HP8800 | 12760HP8800 | CHAIN COMP, camshaft drive      | 1    |         | <b>5</b>        |
| 2              | 12771HP8800             | 12771HP8800 | 12771HP8800 | GUIDE, cam chain NO.1           | 1    |         |                 |
| 3              | 12811HP7600             | 12811HP7600 | 12811HP7600 | TENSIONER, cam chain            | 1    |         | <b>5</b>        |
| 4              | 12837HP7600             | 12837HP7600 | 12837HP7600 | GASKET, tensioner adjuster (NA) | 1    |         | <b>10</b>       |
| 5              | 12830HP7600             | 12830HP7600 | 12830HP7600 | ADJUSTER ASS'Y, tensioner       | 1    |         | <b>10</b>       |
| 6              | 12838HP7600             | 12838HP7600 | 12838HP7600 | O-RING, adjuster                | 1    |         |                 |
| 7              | 12839HP7600             | 12839HP7600 | 12839HP7600 | BOLT, adjuster                  | 1    |         |                 |
| 8              | 07110-06208             | 07110-06208 | 07110-06208 | BOLT, tensioner adjuster        | 2    |         |                 |
| 9              | 12782HP7600             | 12782HP7600 | 12782HP7600 | GUIDE, cam chain NO.2           | 1    |         |                 |

FIG.10-250

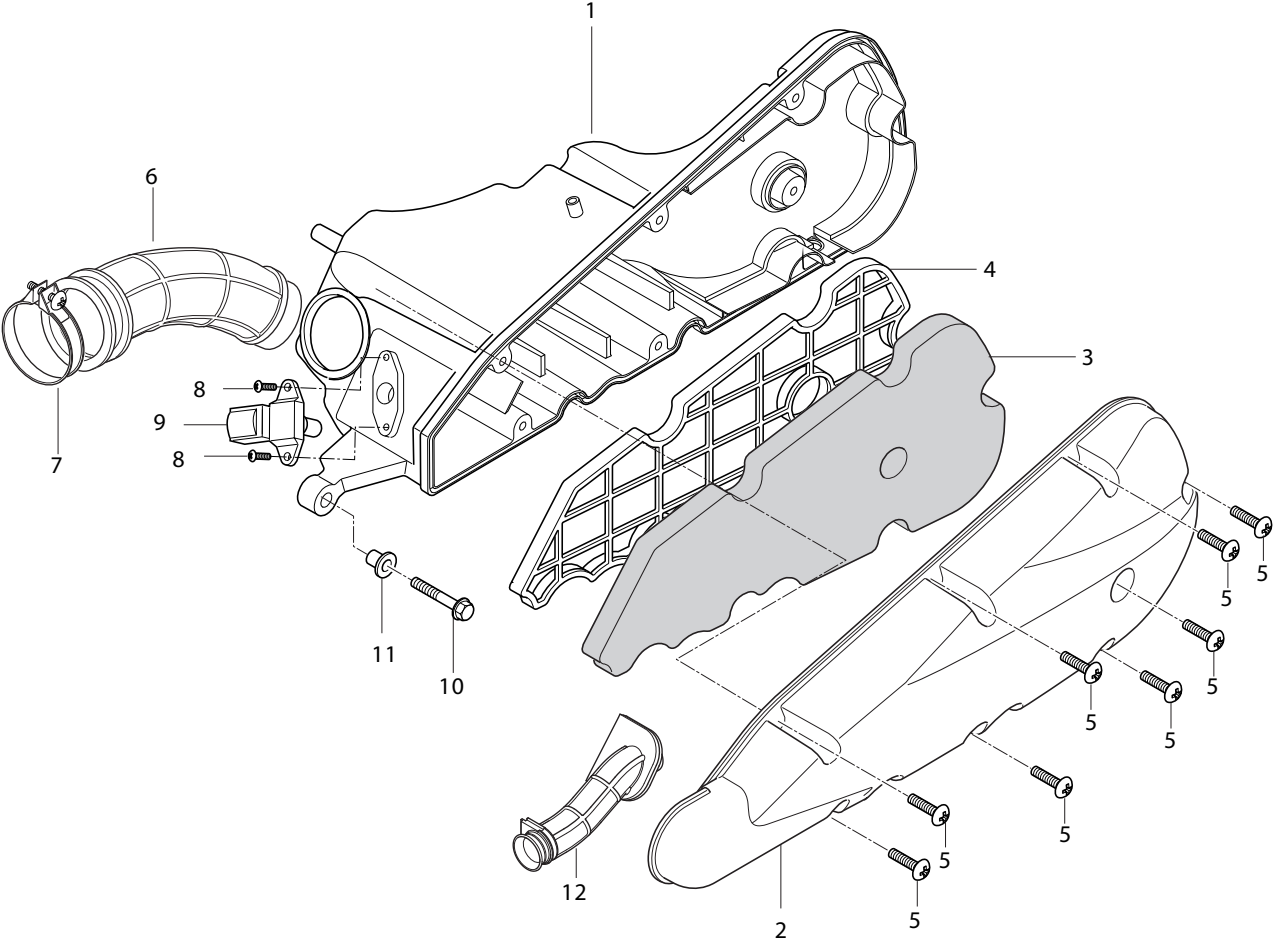


# FIG 10. THROTTLE BODY(250cc)

| REF. PARTS NO. |                         |             |             | PARTS NAME                   | Q`TY | REMARKS | REC.Q'TY /      |
|----------------|-------------------------|-------------|-------------|------------------------------|------|---------|-----------------|
| NO.            | 7EU01/7FO01/7G001/7SO01 | SUS01-UM    | 7US01       |                              |      |         | 100 Motorcycles |
|                |                         |             |             |                              |      |         | (PCS)           |
| 0              | 13400HP8800             | 13400HP8800 | 13400HP8800 | BODY ASS'Y, throttle         | 1    |         | 10              |
| 1              | 15710HP8800             | 15710HP8800 | 15710HP8800 | INJECTOR                     | 1    |         | 5               |
| 2              | 13110HP8800             | 13110HP8800 | 13110HP8800 | PIPE COMP, intake            | 1    |         | 5               |
| 3              | 13129HP8800             | 13129HP8800 | 13129HP8800 | INSULATOR, carburetor        | 1    |         | 5               |
| 4              | 09280H34000             | 09280H34000 | 09280H34000 | O-RING, intake pipe          | 1    |         | 10              |
| 5              | 01547-06408             | 01547-06408 | 01547-06408 | BOLT, intake pipe            | 2    |         |                 |
| 6              | 13580HP8800             | 13580HP8800 | 13580HP8800 | SENSOR, throttle position    | 1    |         | 5               |
| 7              | 37920HP8800             | 37920HP8800 | 37920HP8800 | SENSOR, intake air pressure  | 1    |         | 5               |
| 8              | 37940HP8800             | 37940HP8800 | 37940HP8800 | SOLENOID, idle speed control | 1    |         | 5               |



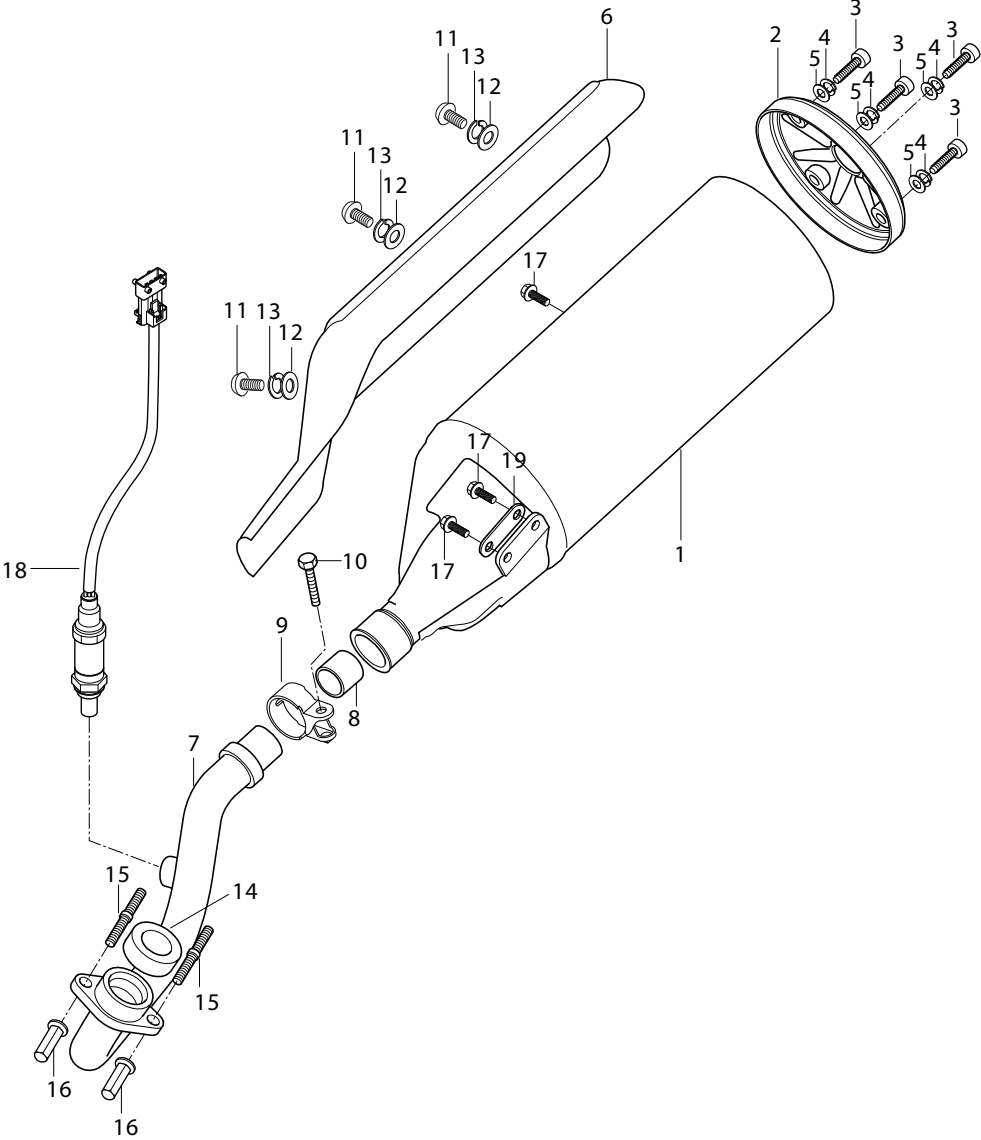
FIG.11-250



# FIG 11. AIR CLEANER(250cc)

| REF. PARTS NO. |                         |             |             | PARTS NAME                     | Q`TY | REMARKS | REC.Q'TY /      |
|----------------|-------------------------|-------------|-------------|--------------------------------|------|---------|-----------------|
| NO.            | 7EU01/7FO01/7G001/7SO01 | SUS01-UM    | 7US01       |                                |      |         | 100 Motorcycles |
|                |                         |             |             |                                |      |         | (PCS)           |
| 0              | 13700HP8800             | 13700HP8800 | 13700HP8800 | CLEANER ASS'Y, air             | 1    |         | <b>5</b>        |
| 1              | 13720HP7600             | 13720HP7600 | 13720HP7600 | CASE COMP, air cleaner         | 1    |         |                 |
| 2              | 13740HP7600             | 13740HP7600 | 13740HP7600 | CAP COMP, air cleaner          | 1    |         |                 |
| 3              | 13781HP7600             | 13781HP7600 | 13781HP7600 | FILTER, air cleaner            | 1    |         | <b>40</b>       |
| 4              | 13751HP7600             | 13751HP7600 | 13751HP7600 | TRAP, air cleaner              | 1    |         |                 |
| 5              | 02142-05165             | 02142-05165 | 02142-05165 | SCREW, air cleaner             | 8    |         |                 |
| 6              | 13881HP8800             | 13881HP8800 | 13881HP8800 | TUBE, outlet                   | 1    |         |                 |
| 7              | 09402-40208             | 09402-40208 | 09402-40208 | CLAMP, outlet tube             | 1    |         |                 |
| 8              | 03241-04125             | 03241-04125 | 03241-04125 | SCREW, intake air temperature  | 2    |         |                 |
| 9              | 37930HP8800             | 37930HP8800 | 37930HP8800 | SENSOR, intake air temperature | 1    |         | <b>10</b>       |
| 10             | 01547-06258             | 01547-06258 | 01547-06258 | BOLT, air cleaner              | 3    |         |                 |
| 11             | 13725HF4500             | 13725HF4500 | 13725HF4500 | COLLAR, air cleaner            | 3    |         |                 |
| 12             | 13891HP7600             | 13891HP7600 | 13891HP7600 | TUBE, inlet                    | 1    |         |                 |

FIG.12

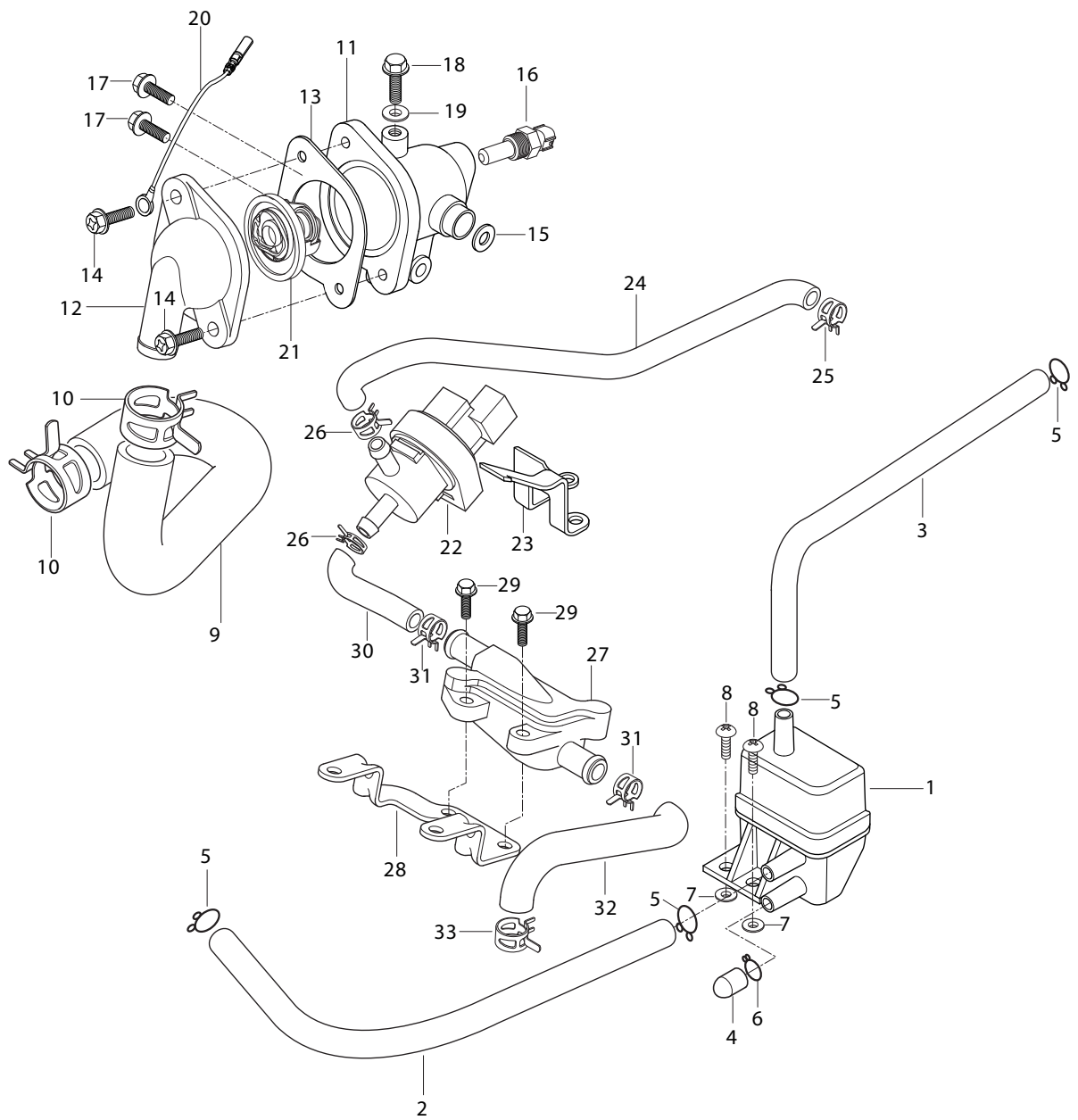


FWD

# FIG 12. MUFFLER(250cc)

| REF. PARTS NO.              |                |                |                | PARTS NAME                         | Q`TY | REMARKS | REC.Q`TY /      |
|-----------------------------|----------------|----------------|----------------|------------------------------------|------|---------|-----------------|
| NO. 7EU01/7FO01/7G001/7SO01 |                | SUS01-UM       | 7US01          |                                    |      |         | 100 Motorcycles |
|                             |                |                |                |                                    |      |         | (PCS)           |
| 0                           | 14301HP8800PLH | 14301HP8850PLH | 14301HP8850PLH | MUFFLER                            | 1    |         | 5               |
| 1                           | 14310HP8800    | 14310HP8850    | 14310HP8850    | BODY COMP, muffler                 | 1    |         | 5               |
| 2                           | 14791HP7600    | 14791HP7600    | 14791HP7600    | COVER, muffler rear                | 2    |         | 10              |
| 3                           | 09106H06001    | 09106H06001    | 09106H06001    | BOLT, muffler rear cover           | 4    |         |                 |
| 4                           | 08321-31068    | 08321-31068    | 08321-31068    | WASHER, muffler rear cover(SPRING) | 4    |         |                 |
| 5                           | 08322-21068    | 08322-21068    | 08322-21068    | WASHER, muffler rear cover(PLANE)  | 4    |         |                 |
| 6                           | 14781HP7600    | 14781HP7600    | 14781HP7600    | COVER, muffler                     | 1    |         |                 |
| 7                           | 14150HP8800    | 14150HP8800    | 14150HP8800    | PIPE COMP, exhaust                 | 1    |         |                 |
| 8                           | 14773HG5800    | 14773HG5800    | 14773HG5800    | GASKET, connector exhaust pipe     | 1    |         | 20              |
| 9                           | 14770HP7600    | 14770HP7600    | 14770HP7600    | CONNECTOR COMP, exhaust pipe       | 1    |         |                 |
| 10                          | 01517-08468    | 01517-08468    | 01517-08468    | BOLT, connector exhaust pipe       | 1    |         |                 |
| 11                          | 09106H06150    | 09106H06150    | 09106H06150    | BOLT, muffler cover                | 3    |         |                 |
| 12                          | 09160H06005    | 09160H06005    | 09160H06005    | WASHER, muffler cover(PLANE)       | 3    |         |                 |
| 13                          | 08321-31068    | 08321-31068    | 08321-31068    | WASHER, muffler cover(SPRING)      | 3    |         |                 |
| 14                          | 14181-46E00    | 14181-46E00    | 14181-46E00    | GASKET, exhaust pipe               | 1    |         | 20              |
| 15                          | 01421-08258    | 01421-08258    | 01421-08258    | BOLT, exhaust pipe stud            | 2    |         |                 |
| 16                          | 08316-26086    | 08316-26086    | 08316-26086    | NUT, exhaust pipe                  | 2    |         |                 |
| 17                          | 01177-08268    | 01177-08268    | 01177-08268    | BOLT, muffler support              | 3    |         |                 |
| 18                          | 37950HP8800    | 37950HP8800    | 37950HP8800    | SENSOR ASS'Y, oxygen               | 1    |         | 10              |
| 19                          | 14427HP7600    | 14427HP7600    | 14427HP7600    | REINFORCEMENT, muf sprt NO.1       | 1    |         |                 |

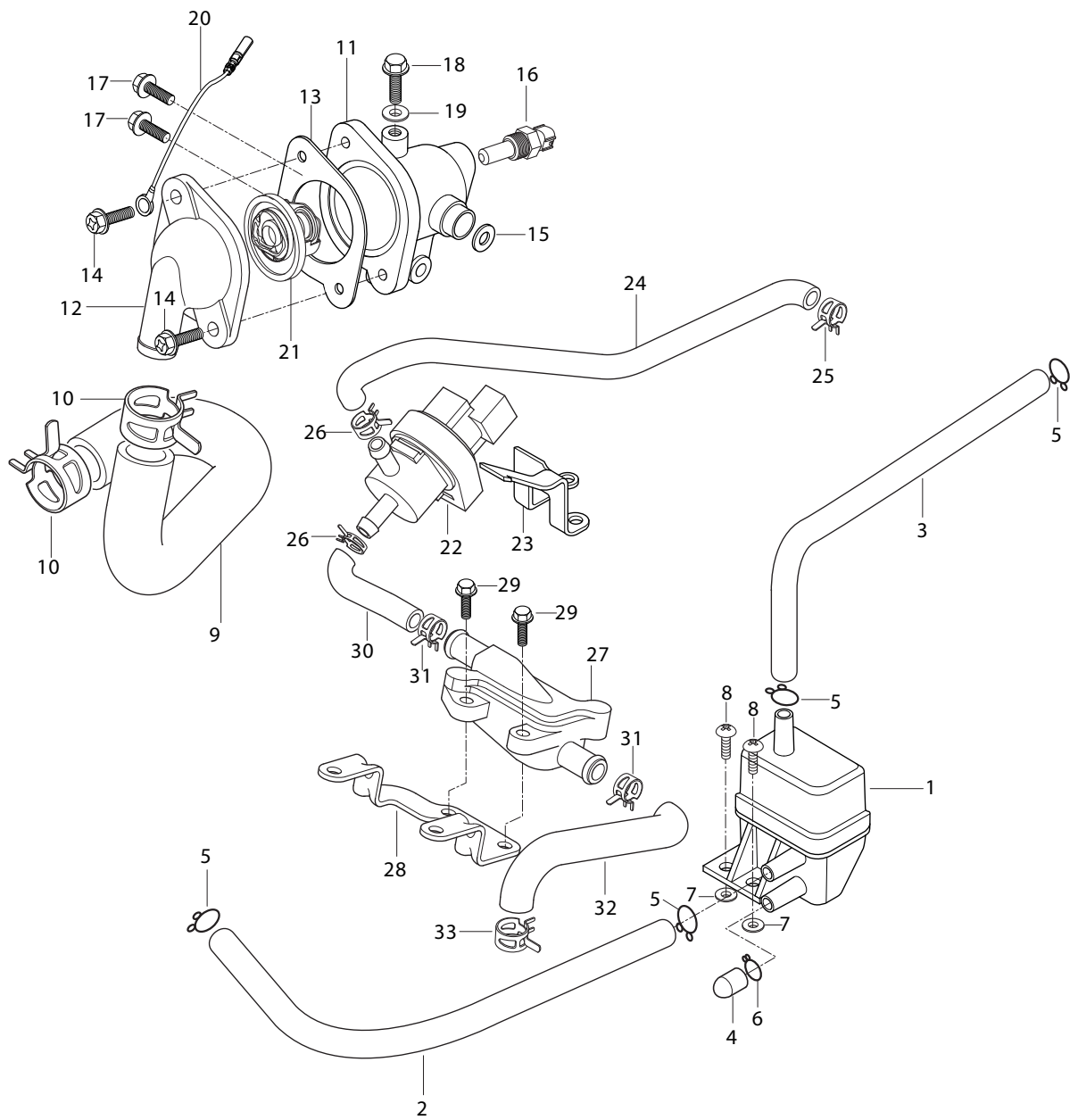
FIG.13-250



# FIG 13. CONNECTOR(250cc)

| REF. PARTS NO. |                         |                |                | PARTS NAME                       | Q`TY | REMARKS | REC.Q`TY /      |
|----------------|-------------------------|----------------|----------------|----------------------------------|------|---------|-----------------|
| NO.            | 7EU01/7FO01/7G001/7SO01 | SUS01-UM       | 7US01          |                                  |      |         | 100 Motorcycles |
|                |                         |                |                |                                  |      |         | (PCS)           |
| 1              | 16820HP7600             | 16820HP7600    | 16820HP7600    | TANK COMP, breather oil return   | 1    |         | 5               |
| 2              | 16831HP7600             | 16831HP7600    | 16831HP7600    | HOSE, breather oil return c/head | 1    |         | 5               |
| 3              | 52541HN9161             | 52541HN9161    | 52541HN9161    | HOSE, breather oil return drain  | 1    |         | 5               |
| 4              | 16841HP7600             | 16841HP7600    | 16841HP7600    | HOSE, breather oil return tube   | 1    |         | 5               |
| 5              | 09401H11401             | 09401H11401    | 09401H11401    | CLIP, breather oil return hose   | 4    |         | 20              |
| 6              | 02112-96168             | 02112-96168    | 02112-96168    | BOLT, breather oil return tank   | 2    |         |                 |
| 7              | 09401-08401             | 09401-08401    | 09401-08401    | CLIP, breather oil return drain  | 1    |         |                 |
| 8              | 09169H06078             | 09169H06078    | 09169H06078    | WASHER, breather oil return tank | 2    |         |                 |
| 9              | 17751HP7600             | 17751HP7600    | 17751HP7600    | HOSE, radiator inlet NO.2        | 1    |         |                 |
| 10             | 09401H22401             | 09401H22401    | 09401H22401    | CLAMP, radiator hose             | 2    |         |                 |
| 11             | 17620HP8800             | 17620HP8800    | 17620HP8800    | CONNECTOR COMP, thermostat inlet | 1    |         |                 |
| 12             | 17631HP7603             | 17631HP7603    | 17631HP7603    | CAP, thermostat connector        | 1    |         |                 |
| 13             | 17611HP7600             | 17611HP7600    | 17611HP7600    | GASKET, thermostat               | 1    |         |                 |
| 14             | 09128-06005             | 09128-06005    | 09128-06005    | BOLT, thermostat connector       | 2    |         |                 |
| 15             | 09280H14012             | 09280H14012    | 09280H14012    | O-RING, thermostat connector     | 1    |         |                 |
| 16             | 17650HP9300             | 17650HP9300    | 17650HP9300    | SENSOR, water temp & gauge unit  | 1    |         |                 |
| 17             | 09128H06006             | 09128H06006    | 09128H06006    | BOLT                             | 2    |         |                 |
| 18             | 01517-06128             | 01517-06128    | 01517-06128    | BOLT, connector                  | 1    |         |                 |
| 19             | 09168H06019             | 09168H06019    | 09168H06019    | WASHER, connector                | 1    |         |                 |
| 20             | 17660HS7600             | 17660HS7600    | 17660HS7600    | LEAD WIRE, engine                | 1    |         |                 |
| 21             | 17610HP8900HPA          | 17610HP8900HPA | 17610HP8900HPA | THERMOSTSAT ASS'Y                | 1    |         | 5               |
| 22             | 18500HP8800             | 18500HP8800    | 18500HP8800    | VALVE ASS'Y, 2nd air             | 1    |         | 5               |
| 23             | 18590HP8800             | 18590HP8800    | 18590HP8800    | BRACKET, reed valve              | 1    |         |                 |
| 24             | 18651HP8800             | 18651HP8800    | 18651HP8800    | HOSE, 2nd air clearner           | 1    |         | 5               |
| 25             | 09401H13401             | 09401H13401    | 09401H13401    | CLAMP, 2nd air clearner          | 1    |         | 10              |
| 26             | 09401H11401             | 09401H11401    | 09401H11401    | CLAMP, 2nd air valve             | 1    |         | 10              |
| 27             | 18560HP8800             | 18560HP8800    | 18560HP8800    | VALVE ASS'Y, reed                | 1    |         | 5               |

FIG.13-250

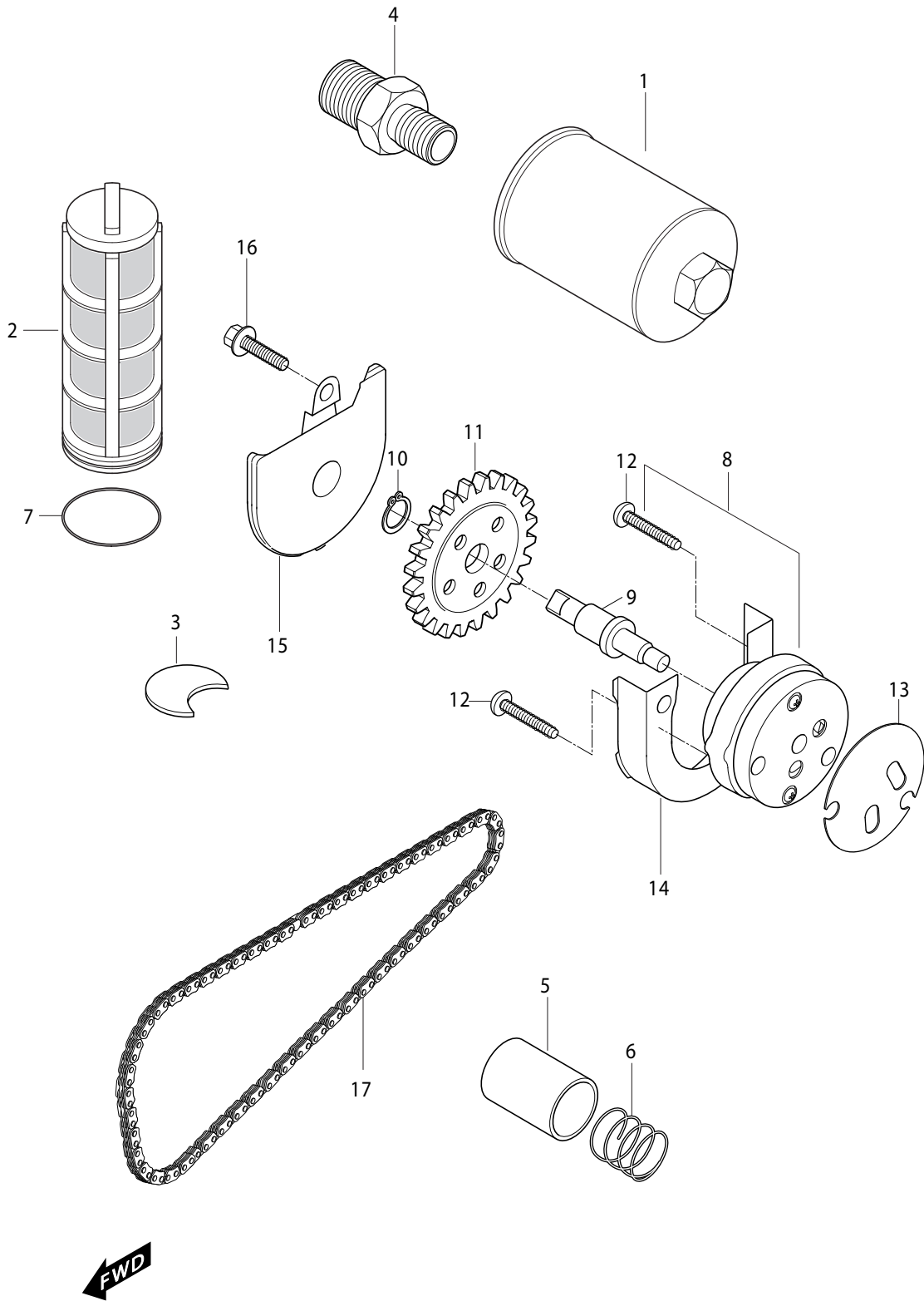


# FIG 13. CONNECTOR(250cc)

| REF. PARTS NO. |                         |             |             | PARTS NAME            | Q`TY | REMARKS | REC.Q`TY /      |
|----------------|-------------------------|-------------|-------------|-----------------------|------|---------|-----------------|
| NO.            | 7EU01/7FO01/7G001/7SO01 | SUS01-UM    | 7US01       |                       |      |         | 100 Motorcycles |
|                |                         |             |             |                       |      |         | (PCS)           |
| 28             | 18571HP8800             | 18571HP8800 | 18571HP8800 | BRACKET, reed valve   | 1    |         |                 |
| 29             | 01547-06128             | 01547-06128 | 01547-06128 | BOLT, reed valve      | 2    |         |                 |
| 30             | 18581HP8800             | 18581HP8800 | 18581HP8800 | HOSE, 2nd reed valve  | 1    |         | <b>5</b>        |
| 31             | 09401H15401             | 09401H15401 | 09401H15401 | CLAMP, 2nd reed valve | 2    |         | <b>10</b>       |
| 32             | 18631HP8800             | 18631HP8800 | 18631HP8800 | HOSE, 2nd air pipe    | 1    |         | <b>5</b>        |
| 33             | 09401H13401             | 09401H13401 | 09401H13401 | CLAMP, 2nd air pipe   | 1    |         | <b>10</b>       |



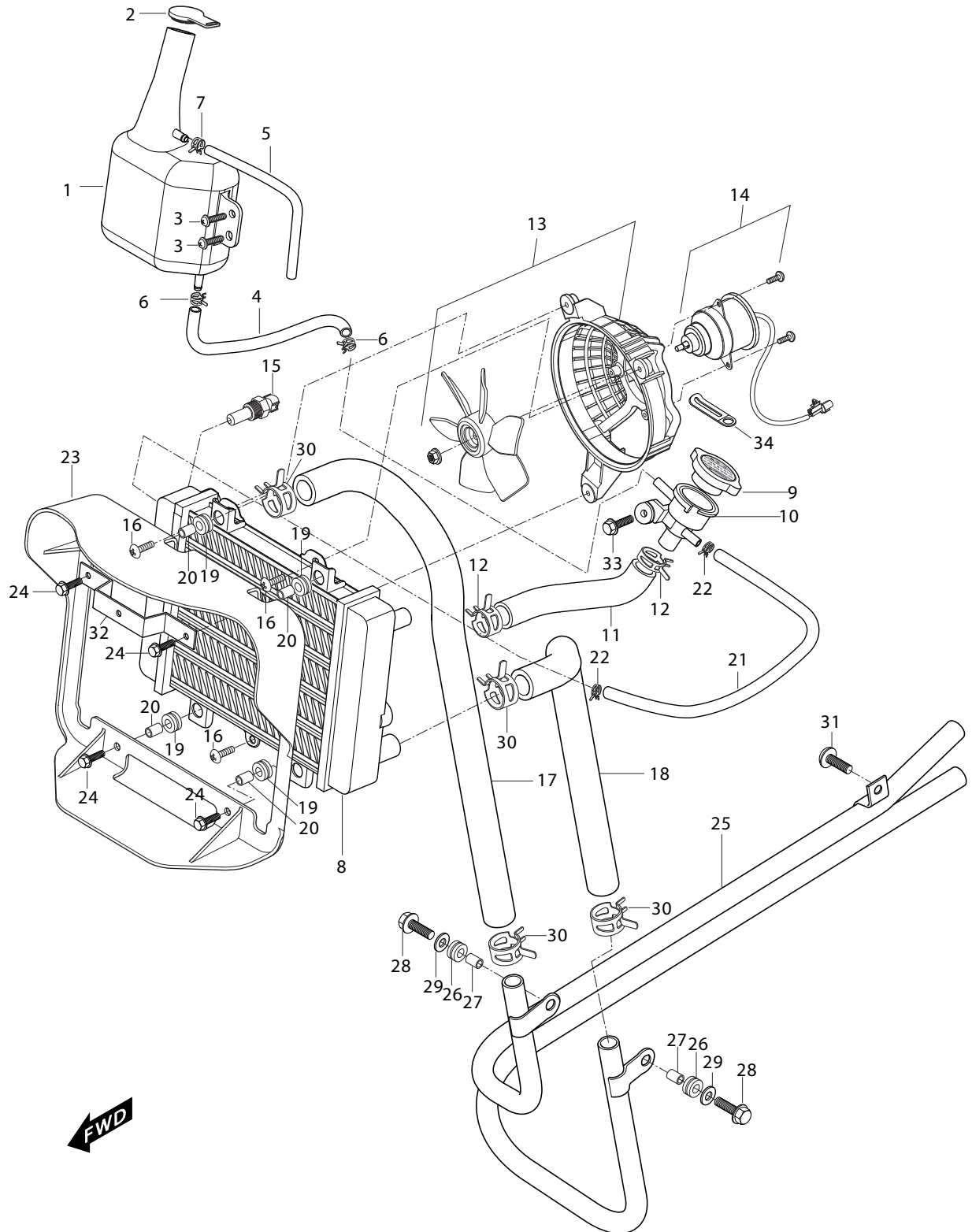
FIG.14-250



# FIG 14. OIL PUMP(250cc)

| REF. PARTS NO. |                         |                |                | PARTS NAME                     | Q`TY | REMARKS | REC.Q'TY /      |
|----------------|-------------------------|----------------|----------------|--------------------------------|------|---------|-----------------|
| NO.            | 7EU01/7FO01/7G001/7SO01 | SUS01-UM       | 7US01          |                                |      |         | 100 Motorcycles |
| 1              | 16510HP7600HAS          | 16510HP7600HAS | 16510HP7600HAS | FILTER COMP, engine oil        | 1    |         | <b>30</b>       |
| 2              | 16520HP7600             | 16520HP7600    | 16520HP7600    | STRAINER COMP, engine oil      | 1    |         |                 |
| 3              | 16531HP7600             | 16531HP7600    | 16531HP7600    | PLATE, oil strainer            | 1    |         |                 |
| 4              | 09362H14001             | 09362H14001    | 09362H14001    | UNION, engine oil filter       | 1    |         |                 |
| 5              | 16441HP7600             | 16441HP7600    | 16441HP7600    | VALVE, oil relief              | 1    |         |                 |
| 6              | 09440H10002             | 09440H10002    | 09440H10002    | SPRING, relief valve           | 1    |         |                 |
| 7              | 09280H16001             | 09280H16001    | 09280H16001    | O-RING, oil strainer           | 1    |         |                 |
| 8              | 16400HP7600             | 16400HP7600    | 16400HP7600    | PUMP ASS'Y, oil                | 1    |         | <b>5</b>        |
| 9              | 16415HP7600             | 16415HP7600    | 16415HP7600    | SHAFT, oil pump                | 1    |         |                 |
| 10             | 08331-31109             | 08331-31109    | 08331-31109    | CIRCLIP, oil pump sprocket     | 1    |         |                 |
| 11             | 16331HP7600             | 16331HP7600    | 16331HP7600    | SPROCKET, oil pump             | 1    |         |                 |
| 12             | 02112-06258             | 02112-06258    | 02112-06258    | SCREW, oil pump                | 2    |         |                 |
| 13             | 16731HP7600             | 16731HP7600    | 16731HP7600    | GASKET, oil pump               | 1    |         | <b>5</b>        |
| 14             | 16611HP7600             | 16611HP7600    | 16611HP7600    | SEPARATOR, oil pump lower      | 1    |         |                 |
| 15             | 16620HP7600             | 16620HP7600    | 16620HP7600    | SEPARATOR COMP, oil pump upper | 1    |         |                 |
| 16             | 09128-06004             | 09128-06004    | 09128-06004    | BOLT, oil pump separator       | 1    |         |                 |
| 17             | 16760HP7600             | 16760HP7600    | 16760HP7600    | CHAIN COMP, oil pump           | 1    |         | <b>5</b>        |

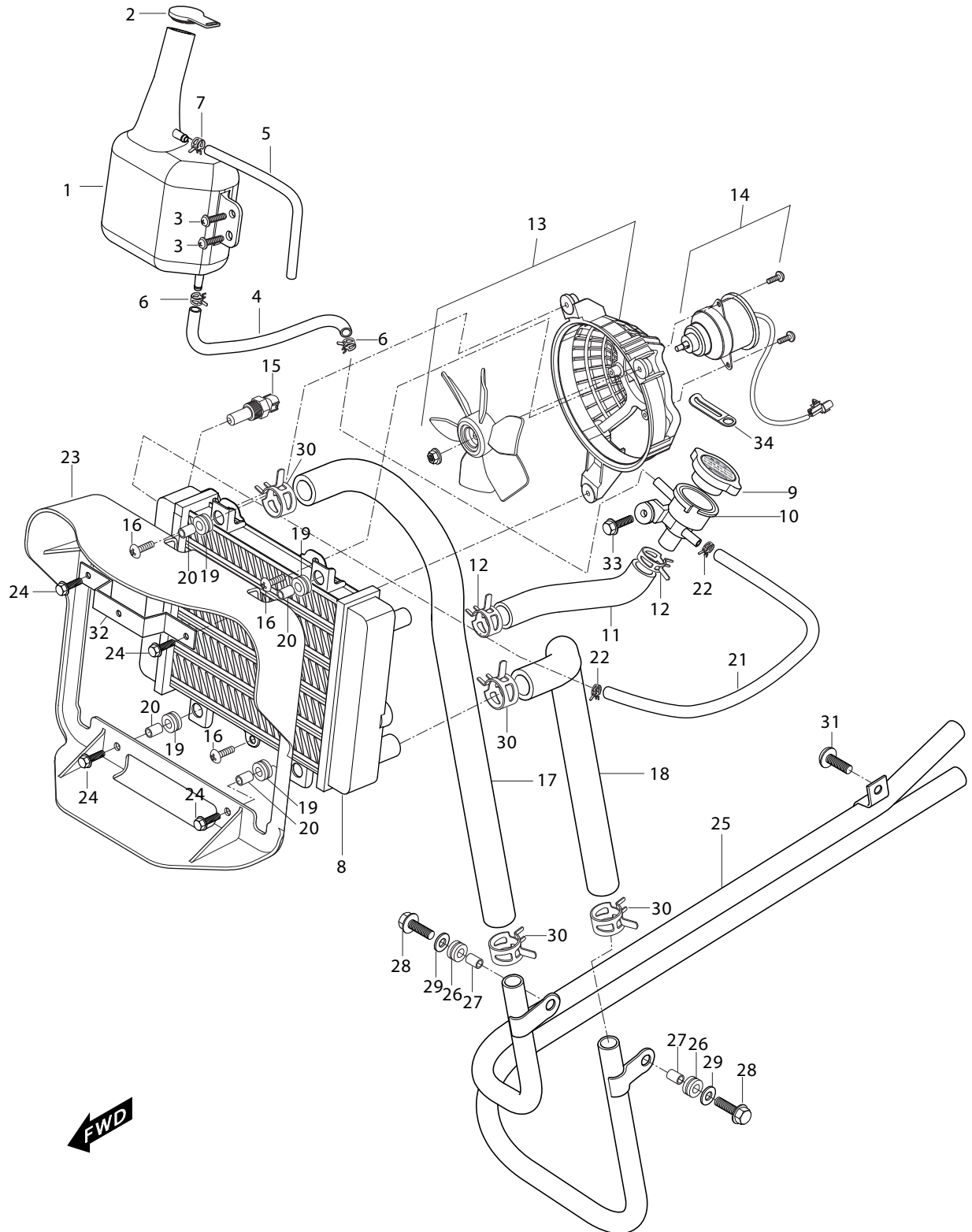
FIG.15-250



# FIG 15. RADIATOR(250cc)

| REF. PARTS NO. |                         |             |             | PARTS NAME                       | Q`TY | REMARKS | REC.Q`TY /      |
|----------------|-------------------------|-------------|-------------|----------------------------------|------|---------|-----------------|
| NO.            | 7EU01/7FO01/7G001/7SO01 | SUS01-UM    | 7US01       |                                  |      |         | 100 Motorcycles |
|                |                         |             |             |                                  |      |         | (PCS)           |
| 1              | 17911HP7600             | 17911HP7600 | 17911HP7600 | TANK, reservoir                  | 1    |         | 5               |
| 2              | 17921HN9100             | 17921HN9100 | 17921HN9100 | CAP, reservoir tank              | 1    |         | 5               |
| 3              | 09136-06017             | 09136-06017 | 09136-06017 | SCREW, reservoir tank            | 2    |         |                 |
| 4              | 17981HP7600             | 17981HP7600 | 17981HP7600 | HOSE, reservoir tank inlet       | 1    |         | 5               |
| 5              | 17982HP7600             | 17982HP7600 | 17982HP7600 | HOSE, reservoir tank overflow    | 1    |         | 5               |
| 6              | 09401H11403             | 09401H11403 | 09401H11403 | CLAMP, reservoir tank inlet hose | 2    |         |                 |
| 7              | 09401-09101             | 09401-09101 | 09401-09101 | CLIP, reservoir tank overflow    | 1    |         |                 |
| 8              | 17710HP7600             | 17710HP7600 | 17710HP7600 | RADIATOR COMP, water             | 1    |         | 5               |
| 9              | 17720HN9100             | 17720HN9100 | 17720HN9100 | CAP COMP, radiator               | 1    |         | 5               |
| 10             | 17731HP7600             | 17731HP7600 | 17731HP7600 | CASE, radiator cap               | 1    |         |                 |
| 11             | 17732HP7600             | 17732HP7600 | 17732HP7600 | HOSE, radiator cap case          | 1    |         |                 |
| 12             | 09401H22401             | 09401H22401 | 09401H22401 | CLAMP, radiator cap case hose    | 2    |         |                 |
| 13             | 17800HN9102             | 17800HN9102 | 17800HN9102 | FAN ASS'Y, radiator              | 1    |         | 5               |
| 14             | 17810HN9100             | 17810HN9100 | 17810HN9100 | MOTOR ASS'Y, radiator fan        | 1    |         | 5               |
| 15             | 17860HP7600             | 17860HP7600 | 17860HP7600 | SWITCH ASS'Y, thermo             | 1    |         | 5               |
| 16             | 02142-05165             | 02142-05165 | 02142-05165 | BOLT, radiator fan               | 3    |         |                 |
| 17             | 17741HP7600             | 17741HP7600 | 17741HP7600 | HOSE, radiator inlet NO.1        | 1    |         |                 |
| 18             | 17761HP7600             | 17761HP7600 | 17761HP7600 | HOSE, radiator outlet NO.1       | 1    |         |                 |
| 19             | 09320-10015             | 09320-10015 | 09320-10015 | CUSHION, radiator                | 4    |         |                 |
| 20             | 09180-06030             | 09180-06030 | 09180-06030 | SPACER, radiator                 | 4    |         | 10              |
| 21             | 17981HP7600             | 17981HP7600 | 17981HP7600 | HOSE, radiator breather          | 1    |         |                 |
| 22             | 09401H11403             | 09401H11403 | 09401H11403 | CLAMP, radiator breather hose    | 2    |         |                 |
| 23             | 17791HP7600             | 17791HP7600 | 17791HP7600 | GUIDE, radiator                  | 1    |         |                 |
| 24             | 01517-06256             | 01517-06256 | 01517-06256 | BOLT, radiator                   | 4    |         |                 |
| 25             | 17780HP7600             | 17780HP7600 | 17780HP7600 | PIPE COMP, radiator hose         | 1    |         | 5               |
| 26             | 09320-10015             | 09320-10015 | 09320-10015 | CUSHION, radiator hose pipe      | 2    |         |                 |
| 27             | 09180-06030             | 09180-06030 | 09180-06030 | SPACER, radiator hose pipe       | 2    |         |                 |
| 28             | 01104-06258             | 01104-06258 | 01104-06258 | BOLT, radiator hose pipe         | 2    |         |                 |

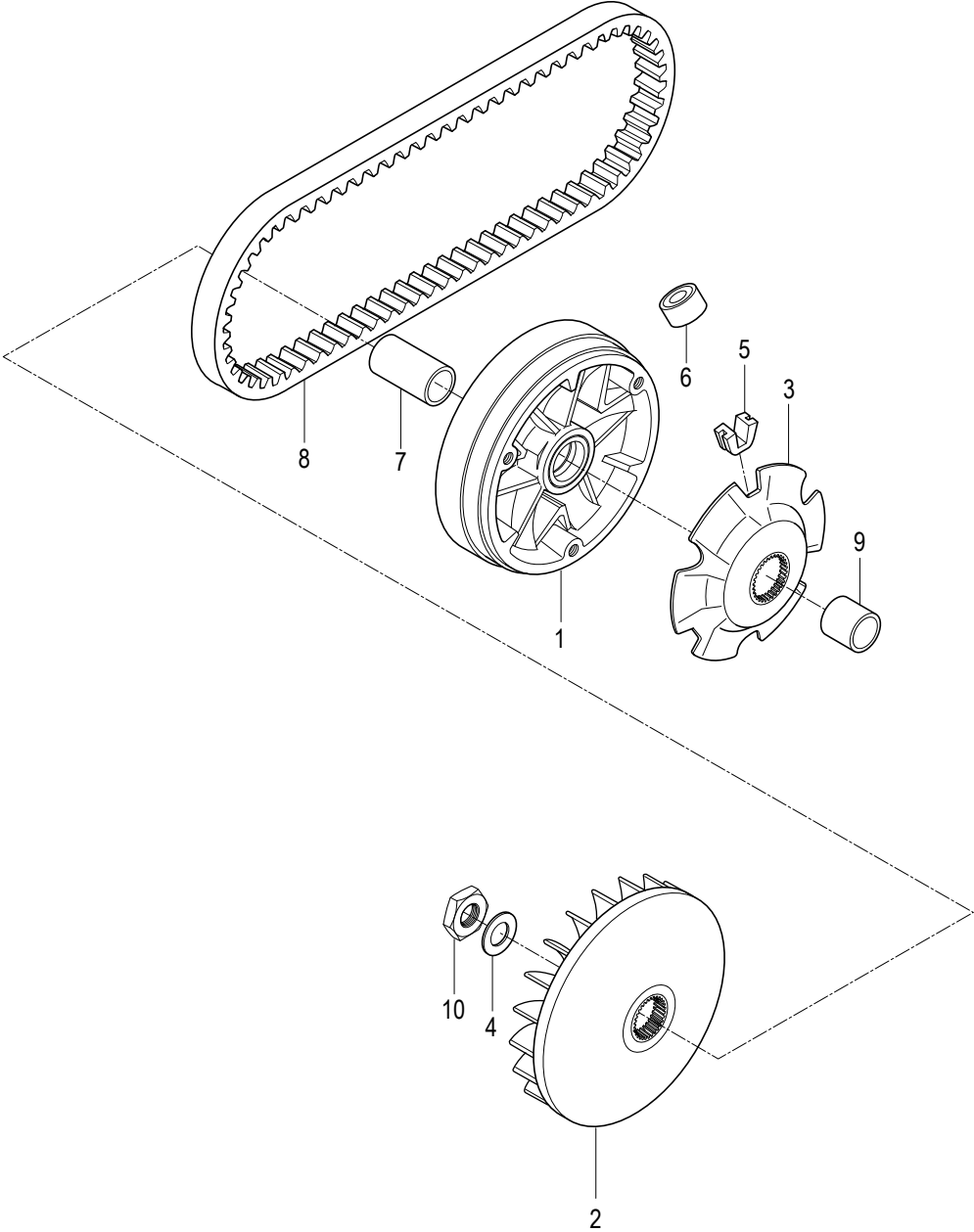
FIG.15-250



# FIG 15. RADIATOR(250cc)

| REF. PARTS NO. |                         | PARTS NAME  |             |                                   | Q`TY | REMARKS | REC.Q'TY /<br>100 Motorcycles |
|----------------|-------------------------|-------------|-------------|-----------------------------------|------|---------|-------------------------------|
| NO.            | 7EU01/7FO01/7G001/7SO01 | SUS01-UM    | 7US01       |                                   |      |         | (PCS)                         |
| 29             | 09160-06006             | 09160-06006 | 09160-06006 | WASHER, radiator hose pipe        | 2    |         |                               |
| 30             | 09401H22401             | 09401H22401 | 09401H22401 | CLAMP, radiator hose              | 4    |         |                               |
| 31             | 02142-06108             | 02142-06108 | 02142-06108 | SCREW, radiator hose pipe bracket | 1    |         |                               |
| 32             | 38520HP7600             | 38520HP7600 | 38520HP7600 | BRACKET, horn                     | 1    |         |                               |
| 33             | 01517-06166             | 01517-06166 | 01517-06166 | BOLT, radiator cap                | 1    |         |                               |
| 34             | 09404-06401             | 09404-06401 | 09404-06401 | CLAMP, radiator fan               | 1    |         |                               |

FIG.16-250

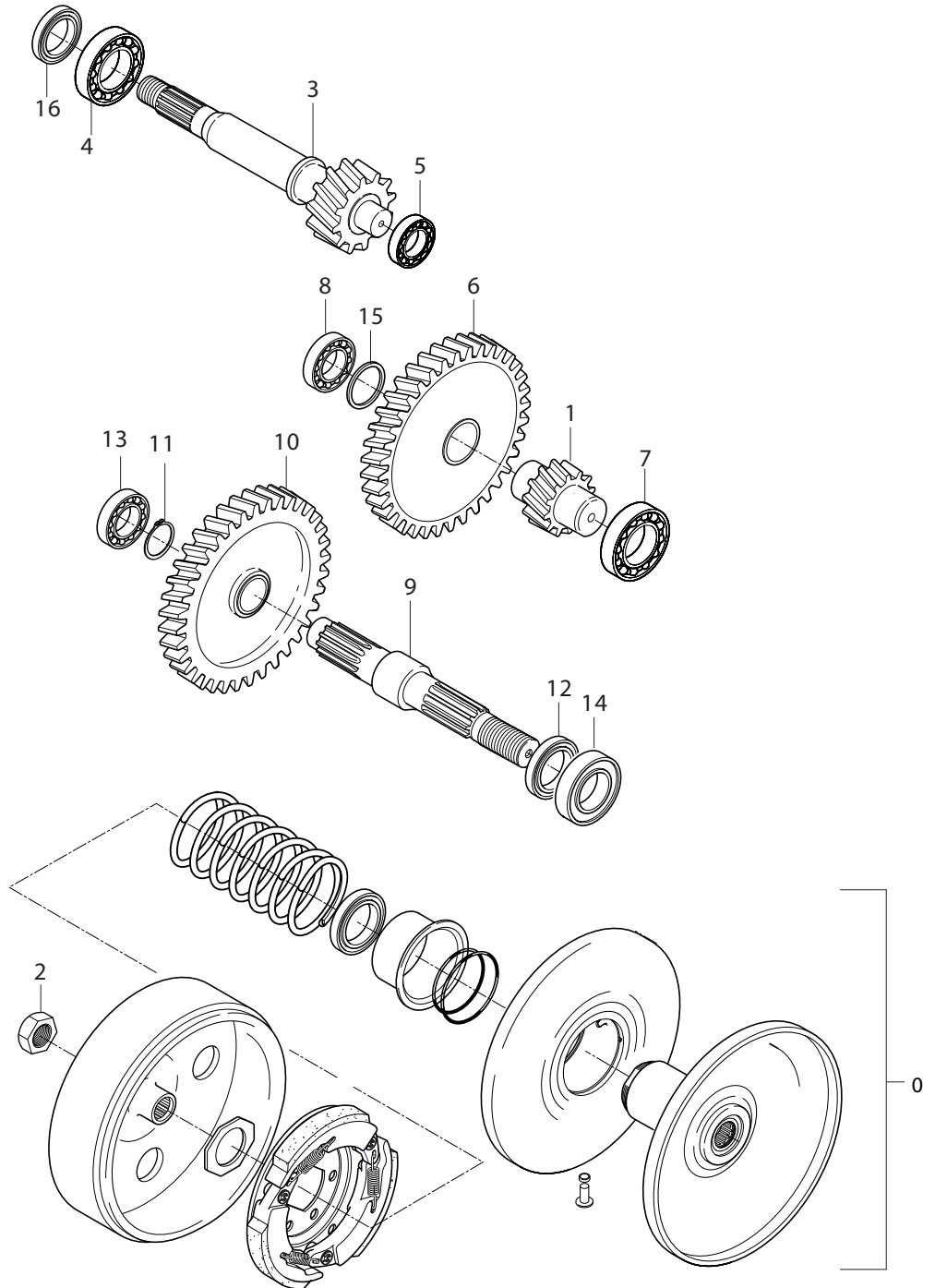


# FIG 16.TRANS MISSION(250cc)

| REF. PARTS NO. |                         |                |                | PARTS NAME                  | Q`TY | REMARKS | REC.Q`TY /      |
|----------------|-------------------------|----------------|----------------|-----------------------------|------|---------|-----------------|
| NO.            | 7EU01/7FO01/7G001/7SO01 | SUS01-UM       | 7US01          |                             |      |         | 100 Motorcycles |
|                |                         |                |                |                             |      |         | (PCS)           |
| 1              | 21120HP8800             | 21120HP8800    | 21120HP8800    | FACE COMP, movable drive    | 1    |         | <b>10</b>       |
| 2              | 21110HP8800             | 21110HP8800    | 21110HP8800    | FACE COMP, fixed drive face | 1    |         | <b>10</b>       |
| 3              | 21431HP8800             | 21431HP8800    | 21431HP8800    | PLATE, movable drive        | 1    |         |                 |
| 4              | 09164H16001             | 09164H16001    | 09164H16001    | WASHER, fixed drive face    | 1    |         |                 |
| 5              | 21481HP8800             | 21481HP8800    | 21481HP8800    | DAMPER, movable drive plate | 3    |         |                 |
| 6              | 21650HP8800HPA          | 21650HP8800HPA | 21650HP8800HPA | ROLLER COMP, movable drive  | 6    | 점검 요    | <b>50</b>       |
| 7              | 21127HP8800             | 21127HP8800    | 21127HP8800    | SPACER, movable drive       | 1    | 점검 요    |                 |
| 8              | 27601HP8800             | 27601HP8800    | 27601HP8800    | V-BELT, drive               | 1    | 점검 요    | <b>10</b>       |
| 9              | 09180H20003             | 09180H20003    | 09180H20003    | SPACER, movable drive plate | 1    | 점검 요    |                 |
| 10             | 09140-16014             | 09140-16014    | 09140-16014    | NUT, fixed drive face       | 1    |         |                 |



FIG.17-250

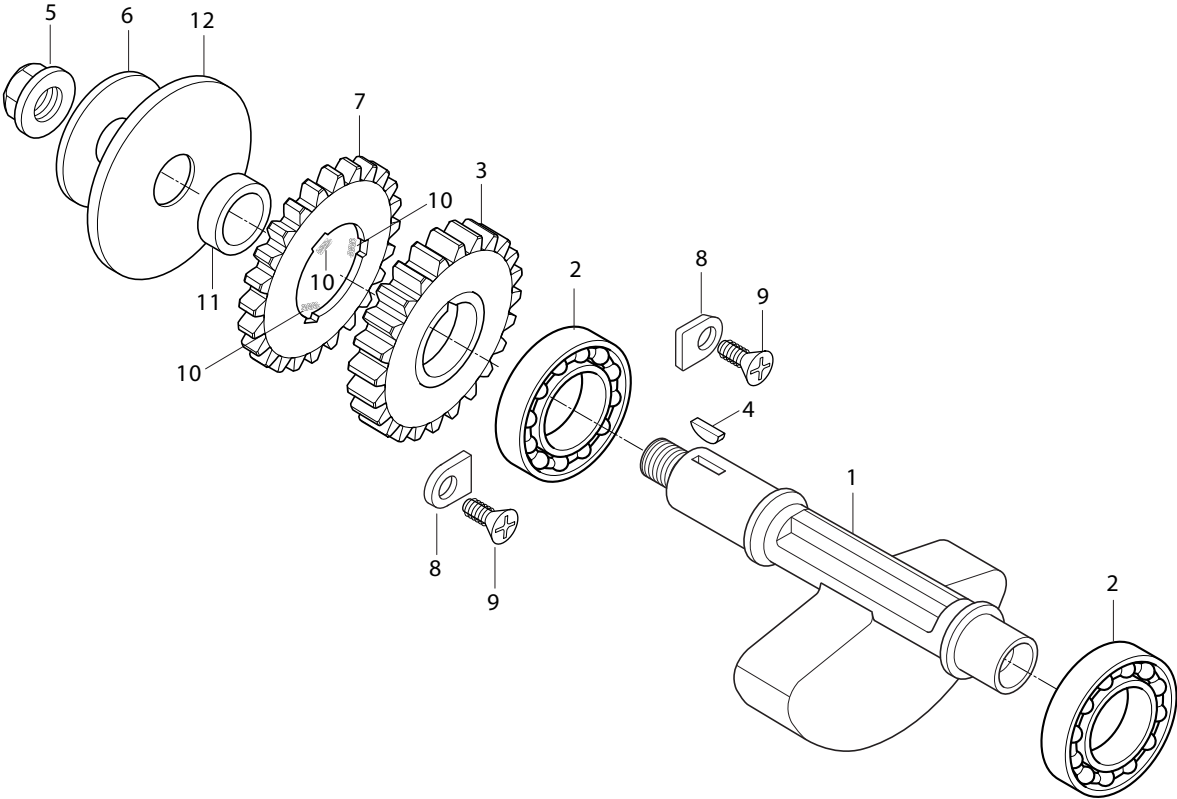


FWD

# FIG 17.DRIVEN PULLEY(250cc)

| REF. PARTS NO. |                         |             |             | PARTS NAME                 | Q`TY | REMARKS | REC.Q'TY /<br>100 Motorcycles |
|----------------|-------------------------|-------------|-------------|----------------------------|------|---------|-------------------------------|
| NO.            | 7EU01/7FO01/7G001/7SO01 | SUS01-UM    | 7US01       |                            |      |         | (PCS)                         |
| 0              | 21200HP8800             | 21200HP8800 | 21200HP8800 | PULLEY SET, driven         | 1    |         | 5                             |
| 1              | 24151HP8801             | 24151HP8801 | 24151HP8801 | SHAFT, idle                | 1    |         |                               |
| 2              | 08316-16128             | 08316-16128 | 08316-16128 | NUT, clutch housing        | 1    |         |                               |
| 3              | 24131HP8800             | 24131HP8800 | 24131HP8800 | SHAFT, drive               | 1    |         |                               |
| 4              | 09262H22001             | 09262H22001 | 09262H22001 | BEARING, drive shaft M     | 1    |         |                               |
| 5              | 08113-63010             | 08113-63010 | 08113-63010 | BEARING, drive shaft R     | 1    |         |                               |
| 6              | 24381HP8801             | 24381HP8801 | 24381HP8801 | GEAR, idle driven          | 1    |         |                               |
| 7              | 08113-63020             | 08113-63020 | 08113-63020 | BEARING, idle shaft R      | 1    |         |                               |
| 8              | 08113-63020             | 08113-63020 | 08113-63020 | BEARING, idle shaft L      | 1    |         |                               |
| 9              | 24141HP7601             | 24141HP7601 | 24141HP7601 | SHAFT, rear axle           | 1    |         |                               |
| 10             | 24371HP8800             | 24371HP8800 | 24371HP8800 | GEAR, final driven         | 1    |         |                               |
| 11             | 08331-31259             | 08331-31259 | 08331-31259 | CIRCLIP, final driven gear | 1    |         |                               |
| 12             | 09283H38001             | 09283H38001 | 09283H38001 | SEAL, axle shaft r oil     | 1    |         |                               |
| 13             | 08113-63020             | 08113-63020 | 08113-63020 | BEARING, axle shaft l      | 1    |         |                               |
| 14             | 08133-60067             | 08133-60067 | 08133-60067 | BEARING, axle shaft r      | 1    |         |                               |
| 15             | 09160-15015             | 09160-15015 | 09160-15015 | WASHER, idle driven gear   | 1    |         |                               |
| 16             | 09283H22001             | 09283H22001 | 09283H22001 | SEAL, drive shaft oil      | 1    |         |                               |

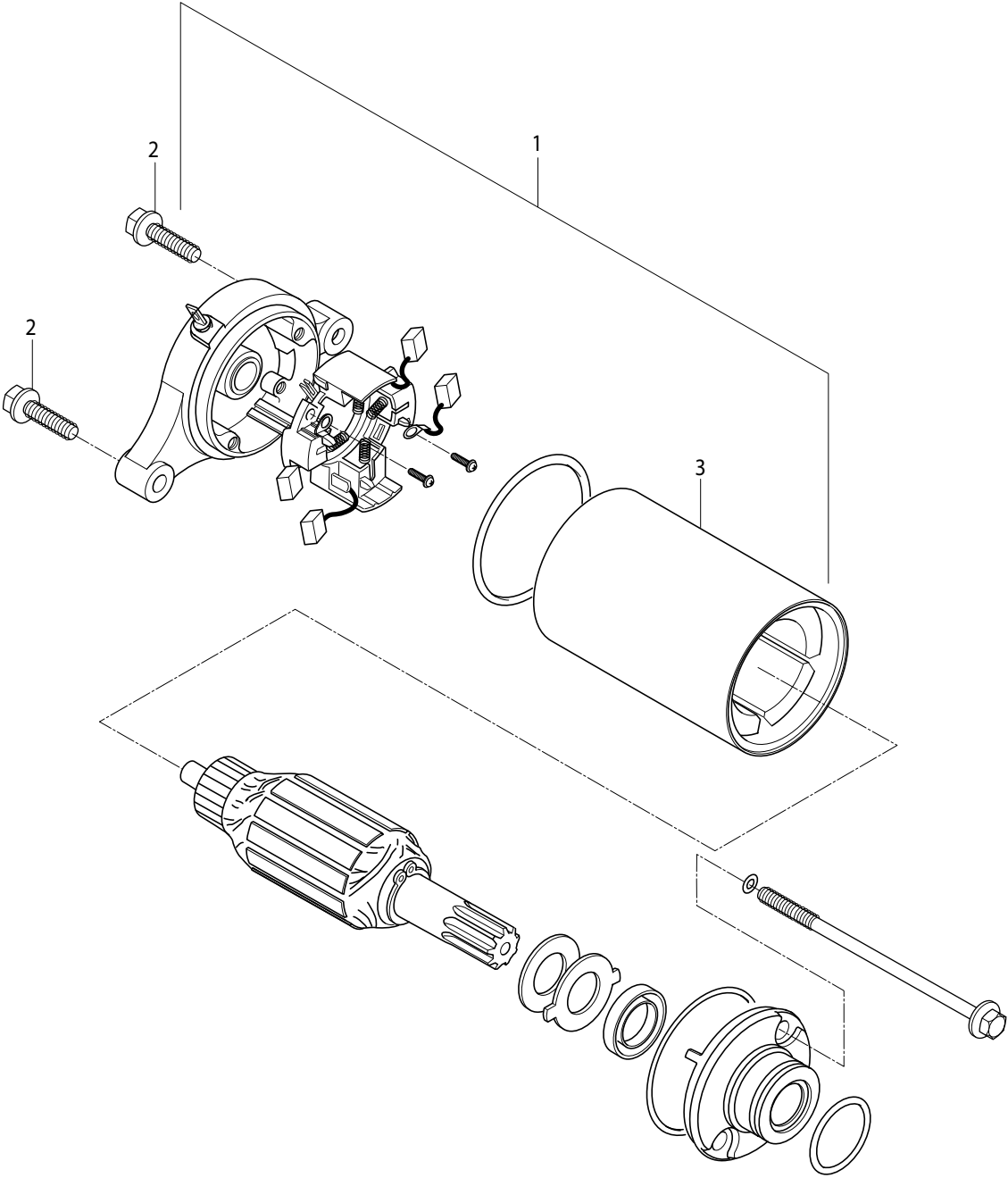
FIG.17-1-250



# FIG 17-1. BALANCE GEAR

| REF. PARTS NO. |                         |             |             | PARTS NAME                         | Q`TY | REMARKS | REC.Q'TY /      |
|----------------|-------------------------|-------------|-------------|------------------------------------|------|---------|-----------------|
| NO.            | 7EU01/7FO01/7G001/7SO01 | SUS01-UM    | 7US01       |                                    |      |         | 100 Motorcycles |
| 1              | 12651HP8800             | 12651HP8800 | 12651HP8800 | BALANCER, crank                    | 1    |         | 5               |
| 2              | 08113-62030             | 08113-62030 | 08113-62030 | BEARING, crank balancer            | 2    |         | 5               |
| 3              | 12666HP8800             | 12666HP8800 | 12666HP8800 | GEAR, crank balancer driven No.1   | 1    |         | 5               |
| 4              | 08341-31039             | 08341-31039 | 08341-31039 | KEY,crank balancer driven gear     | 1    |         | 5               |
| 5              | 08316-16128             | 08316-16128 | 08316-16128 | NUT, crank balancer driven gear    | 1    |         |                 |
| 6              | 09164-12016             | 09164-12016 | 09164-12016 | WASHER, crank balancer driven gear | 1    |         |                 |
| 7              | 12667HP8800             | 12667HP8800 | 12667HP8800 | GEAR, crank balancer driven No.2   | 1    |         | 5               |
| 8              | 24741HG5100             | 24741HG5100 | 24741HG5100 | RETAINER, crank balancer bearing   | 2    |         |                 |
| 9              | 02122-06128             | 02122-06128 | 02122-06128 | SCREW, crank balancer bearing      | 3    |         |                 |
| 10             | 21114-35C00             | 21114-35C00 | 21114-35C00 | SPRING, crank balancer driven gear | 1    |         |                 |
| 11             | 09180H17006             | 09180H17006 | 09180H17006 | SPACER, crank balancer driven gear | 1    |         |                 |
| 12             | 09160H12005             | 09160H12005 | 09160H12005 | WASHER, crank balancer driven gear | 1    |         |                 |

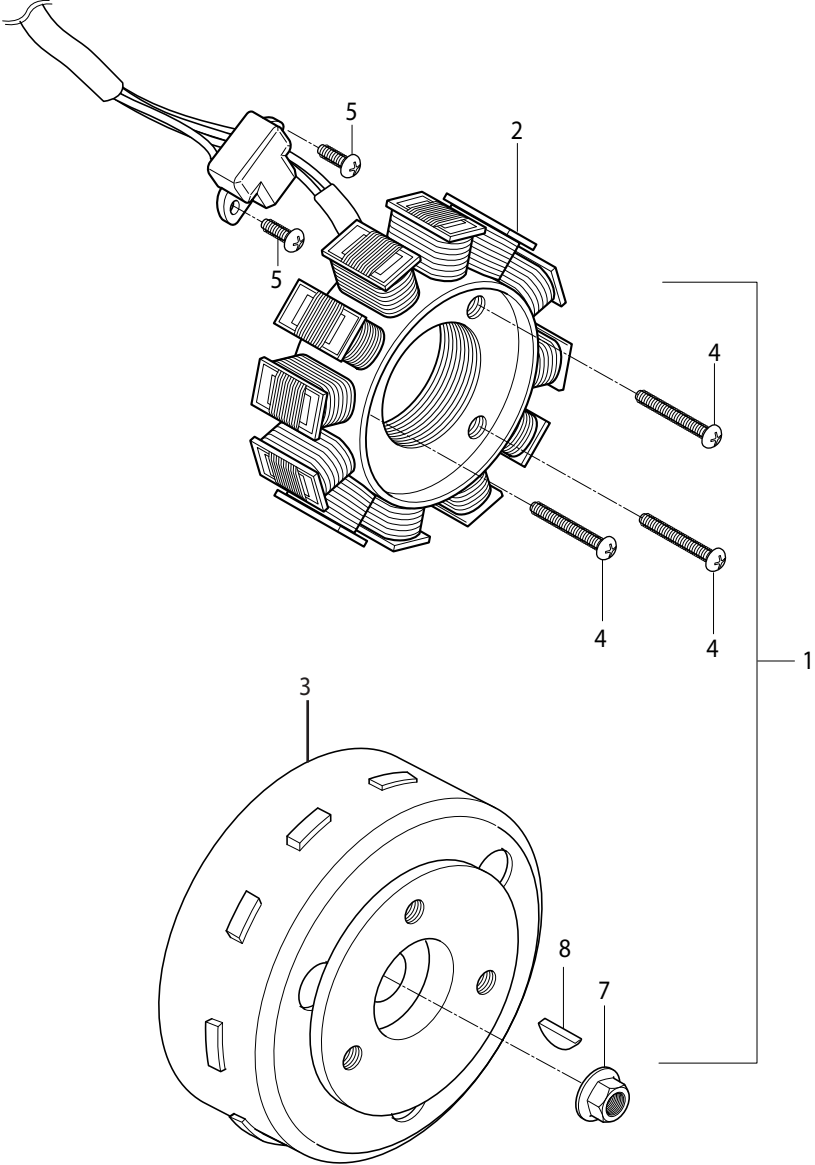
FIG.18



# FIG 18.STARTING MOTOR

| REF. PARTS NO. |                         |             |             | PARTS NAME                  | Q`TY | REMARKS | REC.Q'TY /<br>100 Motorcycles |
|----------------|-------------------------|-------------|-------------|-----------------------------|------|---------|-------------------------------|
| NO.            | 7EU01/7FO01/7G001/7SO01 | SUS01-UM    | 7US01       |                             |      |         | (PCS)                         |
| 1              | 31100HP7601             | 31100HP7601 | 31100HP7601 | MOTOR ASS'Y, starter        | 1    |         | 5                             |
| 2              | 01547-06258             | 01547-06258 | 01547-06258 | BOLT, starter motor         | 2    |         |                               |
| 3              | 08316-16068             | 08316-16068 | 08316-16068 | NUT, starter motor terminal | 1    |         |                               |

FIG.19

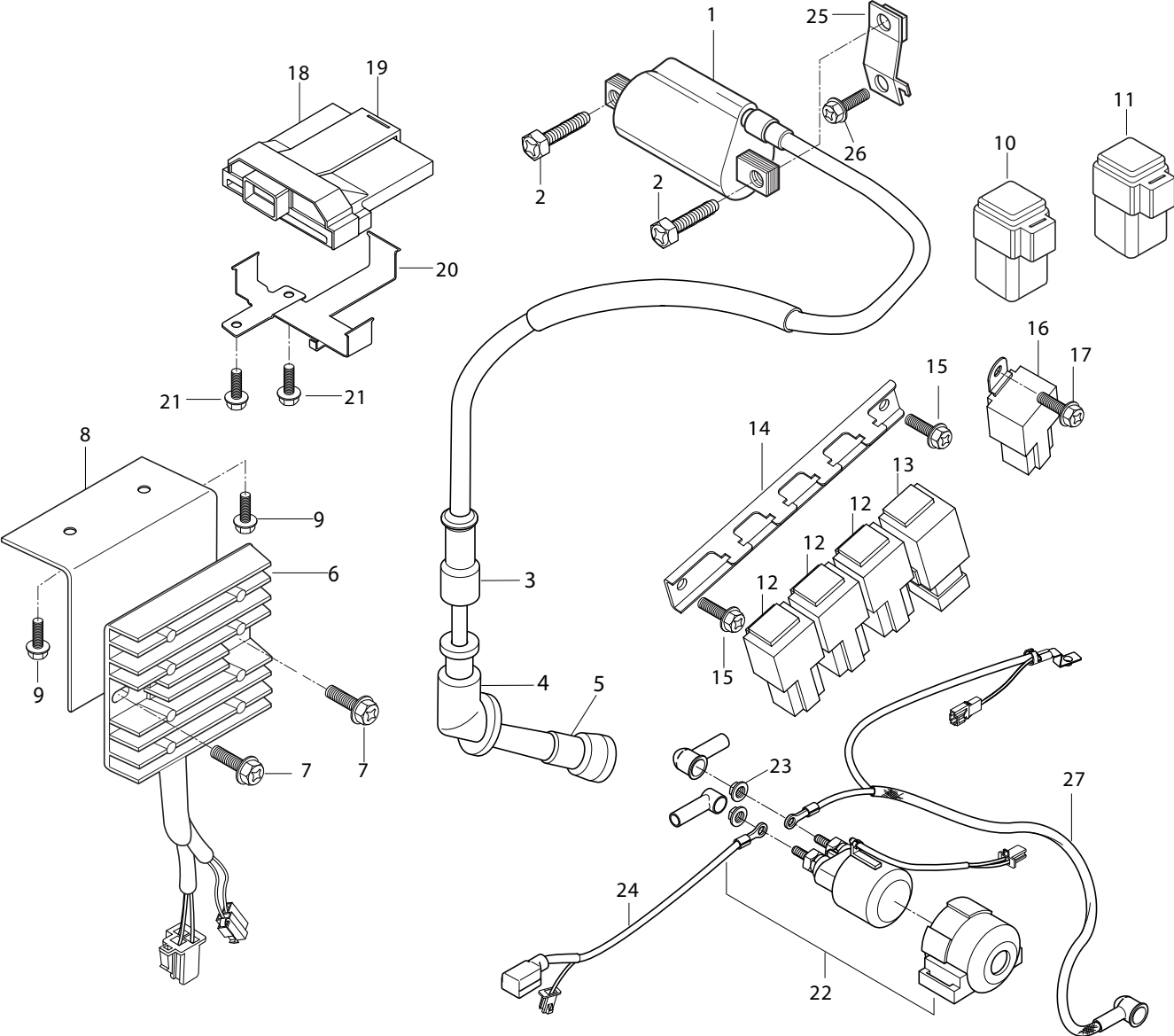


# FIG 19. MAGNETO(250cc)

| REF. PARTS NO. |                         |             |             | PARTS NAME            | Q`TY | REMARKS | REC.Q'TY /      |
|----------------|-------------------------|-------------|-------------|-----------------------|------|---------|-----------------|
| NO.            | 7EU01/7FO01/7G001/7SO01 | SUS01-UM    | 7US01       |                       |      |         | 100 Motorcycles |
|                |                         |             |             |                       |      |         | (PCS)           |
| 1              | 32100HP8810             | 32100HP8810 | 32100HP8810 | MAGNETO ASS'Y         | 1    |         | <b>10</b>       |
| 2              | 02112-05258             | 02112-05258 | 02112-05258 | SCREW, magneto stator | 6    |         |                 |
| 3              | 02112-05128             | 02112-05128 | 02112-05128 | SCREW, pick up coil   | 4    |         |                 |
| 4              | 09160H16001             | 09160H16001 | 09160H16001 | WASHER, magneto       | 2    |         |                 |
| 5              | 09140-16019             | 09140-16019 | 09140-16019 | NUT, magneto          | 2    |         |                 |
| 6              | 09420H04001             | 09420H04001 | 09420H04001 | KEY, magneto          | 2    |         |                 |



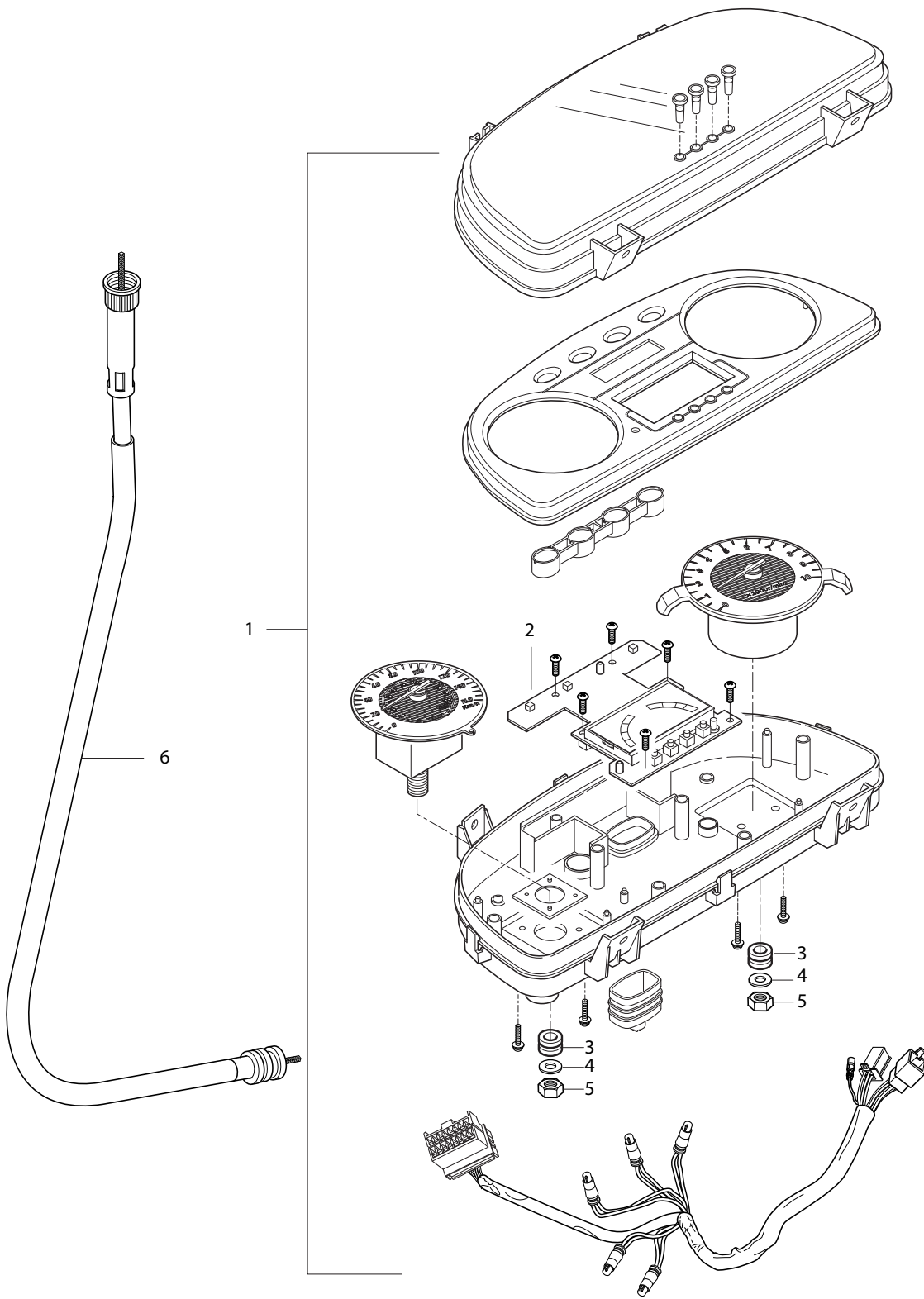
FIG.20



# FIG 20. IGNITION COIL(250cc)

| REF. PARTS NO. |                         |             |             | PARTS NAME                        | Q`TY | REMARKS               | REC.Q'TY /      |
|----------------|-------------------------|-------------|-------------|-----------------------------------|------|-----------------------|-----------------|
| NO.            | 7EU01/7FO01/7G001/7SO01 | SUS01-UM    | 7US01       |                                   |      |                       | 100 Motorcycles |
|                |                         |             |             |                                   |      |                       | (PCS)           |
| 1              | 33410HP8800             | 33410HP8800 | 33410HP8800 | COIL ASSY, ignition               | 1    |                       | <b>10</b>       |
| 2              | 09128-06035             | 09128-06035 | 09128-06035 | BOLT, ignition coil               | 2    |                       |                 |
| 3              | 33510-05C01             | 33510-05C01 | 33510-05C01 | CAP, spark plug                   | 1    | including No.4 + No.5 |                 |
| 4              | 33541-23E01             | 33541-23E01 | 33541-23E01 | SEAL, spark plug                  | 1    | NOT SALE              |                 |
| 5              | 33542-24D00             | 33542-24D00 | 33542-24D00 | SEAL, high tension cord           | 1    | NOT SALE              |                 |
| 6              | 32800HP8900             | 32800HP8900 | 32800HP8900 | RECTIFIER REGULATOR ASSY          | 1    |                       |                 |
| 7              | 01517-06166             | 01517-06166 | 01517-06166 | BOLT, rectifier regulator         | 2    |                       |                 |
| 8              | 32820HP8800             | 32820HP8800 | 32820HP8800 | BRACKET, rectifier regulator      | 1    |                       |                 |
| 9              | 01517-06166             | 01517-06166 | 01517-06166 | BOLT, regulator brkt              | 2    |                       |                 |
| 10             | 36740-35C00             | 36740-35C00 | 36740-35C00 | BOX ASSY, fuse (15A)              | 1    |                       | <b>15</b>       |
| 11             | 36740HN9100             | 36740HN9100 | 36740HN9100 | BOX ASSY, fuse (30A)              | 1    |                       | <b>15</b>       |
| 12             | 38740HP7600             | 38740HP7600 | 38740HP7600 | RELAY ASSY, 12V 30A               | 3    |                       | <b>15</b>       |
| 13             | 38610HP7600             | 38610HP7600 | 38610HP7600 | RELAY ASSY, turn signal           | 1    |                       | <b>15</b>       |
| 14             | 38742HP7600             | 38742HP7600 | 38742HP7600 | BRACKET, relay                    | 1    |                       |                 |
| 15             | 01517-06166             | 01517-06166 | 01517-06166 | BOLT, relay module                | 2    |                       |                 |
| 16             | 38740HM5401             | 38740HM5401 | 38740HM5401 | RELAY ASSY, 12V 30A               | 1    |                       | <b>15</b>       |
| 17             | 01517-06166             | 01517-06166 | 01517-06166 | BOLT, relay assy                  | 2    |                       |                 |
| 18             | 32900HP8810             | 32900HP8810 | 32900HP8810 | ENGINE CONTROL UNIT               | 1    |                       | <b>10</b>       |
| 19             | 32906HP8800             | 32906HP8800 | 32906HP8800 | BAND, engine control unit         | 1    |                       |                 |
| 20             | 41320HP8800             | 41320HP8800 | 41320HP8800 | BRACKET, engine control unit      | 1    |                       |                 |
| 21             | 01517-06166             | 01517-06166 | 01517-06166 | BOLT, engine control unit         | 2    |                       |                 |
| 22             | 31800HG5100             | 31800HG5100 | 31800HG5100 | RELAY ASSY, starter motor         | 1    |                       |                 |
| 23             | 08316-26066             | 08316-26066 | 08316-26066 | NUT, starter motor relay terminal | 2    |                       |                 |
| 24             | 33840HP7600             | 33840HP7600 | 33840HP7600 | LEAD WIRE, battery plug           | 1    |                       |                 |
| 25             | 33416HP8800             | 33416HP8800 | 33416HP8800 | BRACKET, ignition coil            | 1    |                       |                 |
| 26             | 01517-06166             | 01517-06166 | 01517-06166 | BOLT, ignition coil brkt          | 1    |                       |                 |

FIG.21

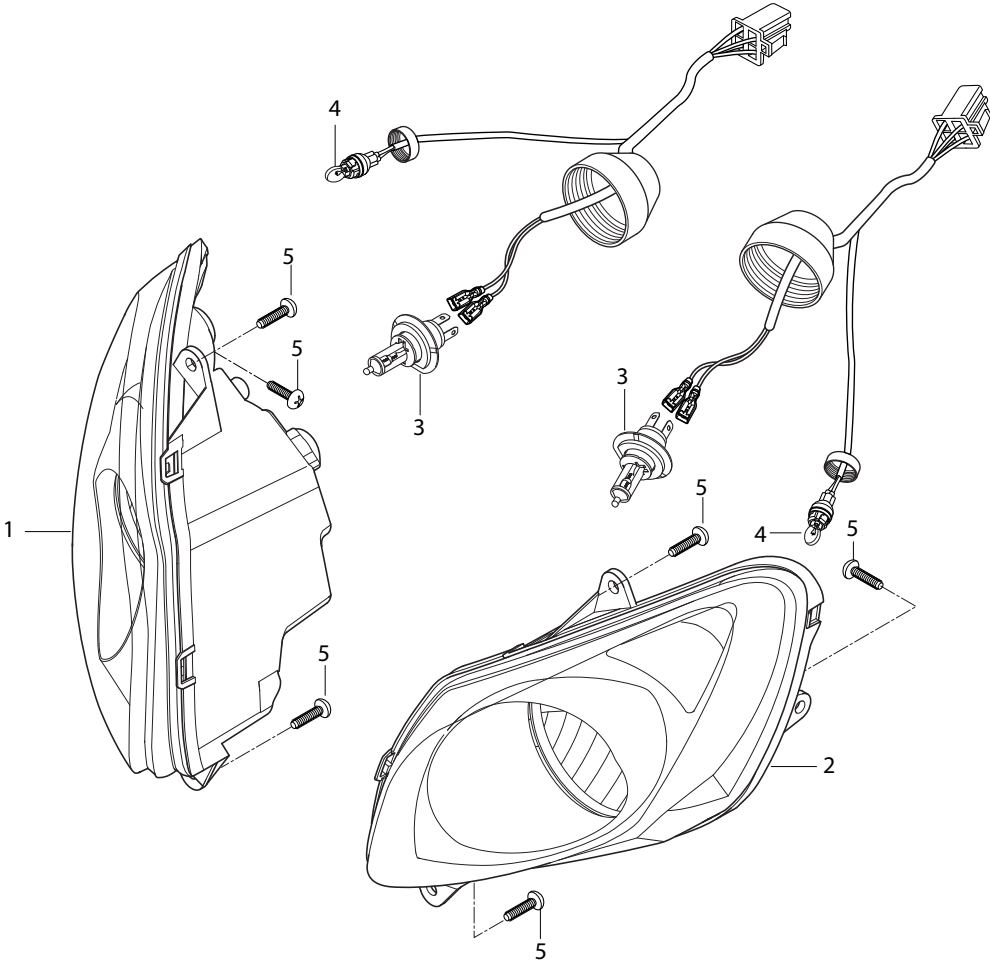


FWD

# FIG 21. SPEEDOMETER(250cc)

| REF. PARTS NO. |                         |             |             | PARTS NAME            | Q`TY | REMARKS | REC.Q'TY /      |
|----------------|-------------------------|-------------|-------------|-----------------------|------|---------|-----------------|
| NO.            | 7EU01/7FO01/7G001/7SO01 | SUS01-UM    | 7US01       |                       |      |         | 100 Motorcycles |
|                |                         |             |             |                       |      |         | (PCS)           |
| 1              | 34100HP8800             | 34100HS8860 | 34100HP8800 | SPEEDOMETER ASSY      | 1    | 점검 요    | 5               |
| 2              | 34600HP8800             | 34600HP8800 | 34600HP8800 | PCB ASSY, speedometer | 2    | 점검 요    |                 |
| 3              | 09320-10015             | 09320-10015 | 09320-10015 | CUSHION, speedometer  | 4    |         |                 |
| 4              | 09160-06012             | 09160-06012 | 09160-06012 | WASHER, speedometer   | 4    |         |                 |
| 5              | 08316-26066             | 08316-26066 | 08316-26066 | NUT, speedometer      | 4    |         |                 |
| 6              | 34910HP8800             | 34910HP8800 | 34910HP8800 | CABLE, speedometer    | 2    | 점검 요    |                 |

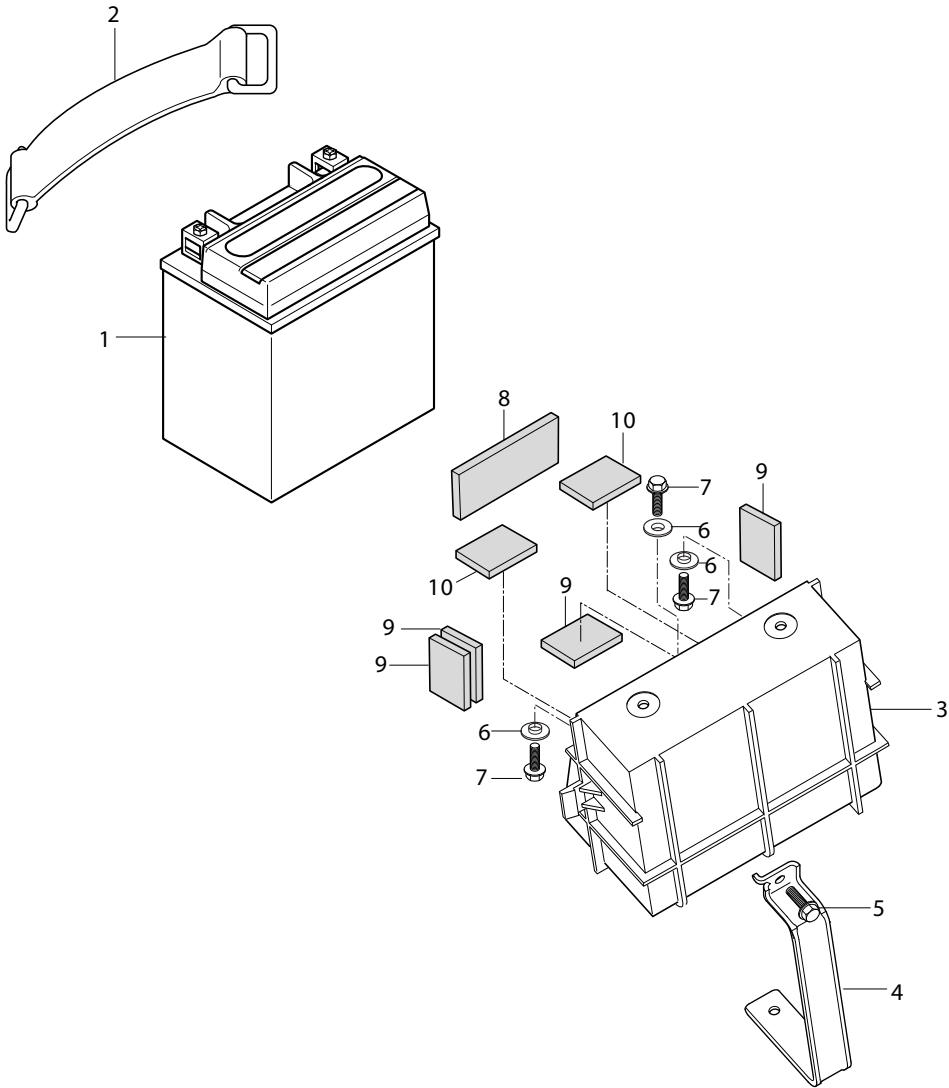
FIG.22



# FIG 22. HEAD LAMP

| REF. PARTS NO. |                         |             |             | PARTS NAME                    | Q`TY | REMARKS | REC.Q'TY /      |
|----------------|-------------------------|-------------|-------------|-------------------------------|------|---------|-----------------|
| NO.            | 7EU01/7FO01/7G001/7SO01 | SUS01-UM    | 7US01       |                               |      |         | 100 Motorcycles |
| 1              | 35100HP7600             | 35100HP7600 | 35100HP7600 | HEAD LAMP ASSY, Rh            | 1    |         | <b>5</b>        |
| 2              | 35200HP7600             | 35200HP7600 | 35200HP7600 | HEAD LAMP ASSY, Lh            | 1    |         | <b>5</b>        |
| 3              | 09471H12260             | 09471H12260 | 09471H12260 | BULB, head lamp (12V H7 55W)  | 2    |         | <b>30</b>       |
| 4              | 09471H12110             | 09471H12110 | 09471H12110 | BULB, position lamp (12V W5W) | 2    |         | <b>30</b>       |
| 5              | 03241-05206             | 03241-05206 | 03241-05206 | SCREW, head lamp              | 6    |         |                 |

FIG.23

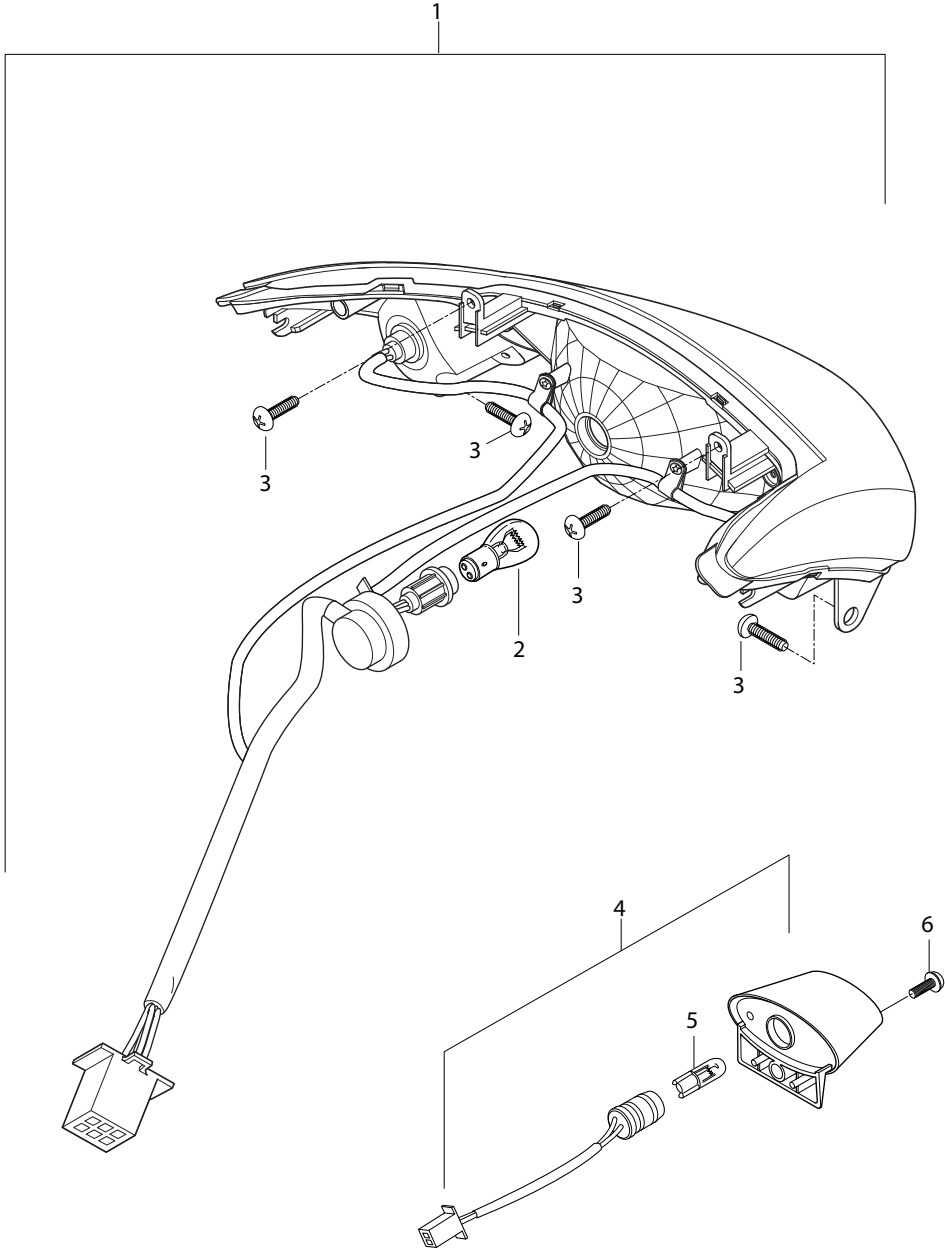


# FIG 23. BATTERY

| REF. PARTS NO. |                         |             |             | PARTS NAME                       | Q`TY | REMARKS | REC.Q`TY /      |
|----------------|-------------------------|-------------|-------------|----------------------------------|------|---------|-----------------|
| NO.            | 7EU01/7FO01/7G001/7SO01 | SUS01-UM    | 7US01       |                                  |      |         | 100 Motorcycles |
|                |                         |             |             |                                  |      |         | (PCS)           |
| 1              | 33610HG5100             | 33610HG5100 | 33610HG5100 | BATTERY ASSY (12V 8Ah, YTX9-BS)  | 1    |         | <b>10</b>       |
| 2              | 33860HP7600             | 33860HP7600 | 33860HP7600 | LEAD WIRE, battery minus         | 1    |         | <b>10</b>       |
| 3              | 09462H00009             | 09462H00009 | 09462H00009 | BAND, battery                    | 1    |         | <b>10</b>       |
| 4              | 41541HP7600             | 41541HP7600 | 41541HP7600 | HOLDER, battery                  | 1    |         | <b>10</b>       |
| 5              | 41580HP7600             | 41580HP7600 | 41580HP7600 | BRKT COMP, battery holder        | 1    |         |                 |
| 6              | 01517-06168             | 01517-06168 | 01517-06168 | BOLT, battery holder brkt        | 1    |         |                 |
| 7              | 09169-06034             | 09169-06034 | 09169-06034 | WASHER, battery holder           | 3    |         |                 |
| 8              | 01517-06165             | 01517-06165 | 01517-06165 | BOLT, battery holder             | 3    |         |                 |
| 9              | 33652H29101             | 33652H29101 | 33652H29101 | CUSHION, holder & battery rear   | 1    |         |                 |
| 10             | 44218HF4500             | 44218HF4500 | 44218HF4500 | CUSHION, holder & battery side   | 4    |         |                 |
| 11             | 41589HR9700             | 41589HR9700 | 41589HR9700 | CUSHION, holder & battery bottom | 2    |         |                 |



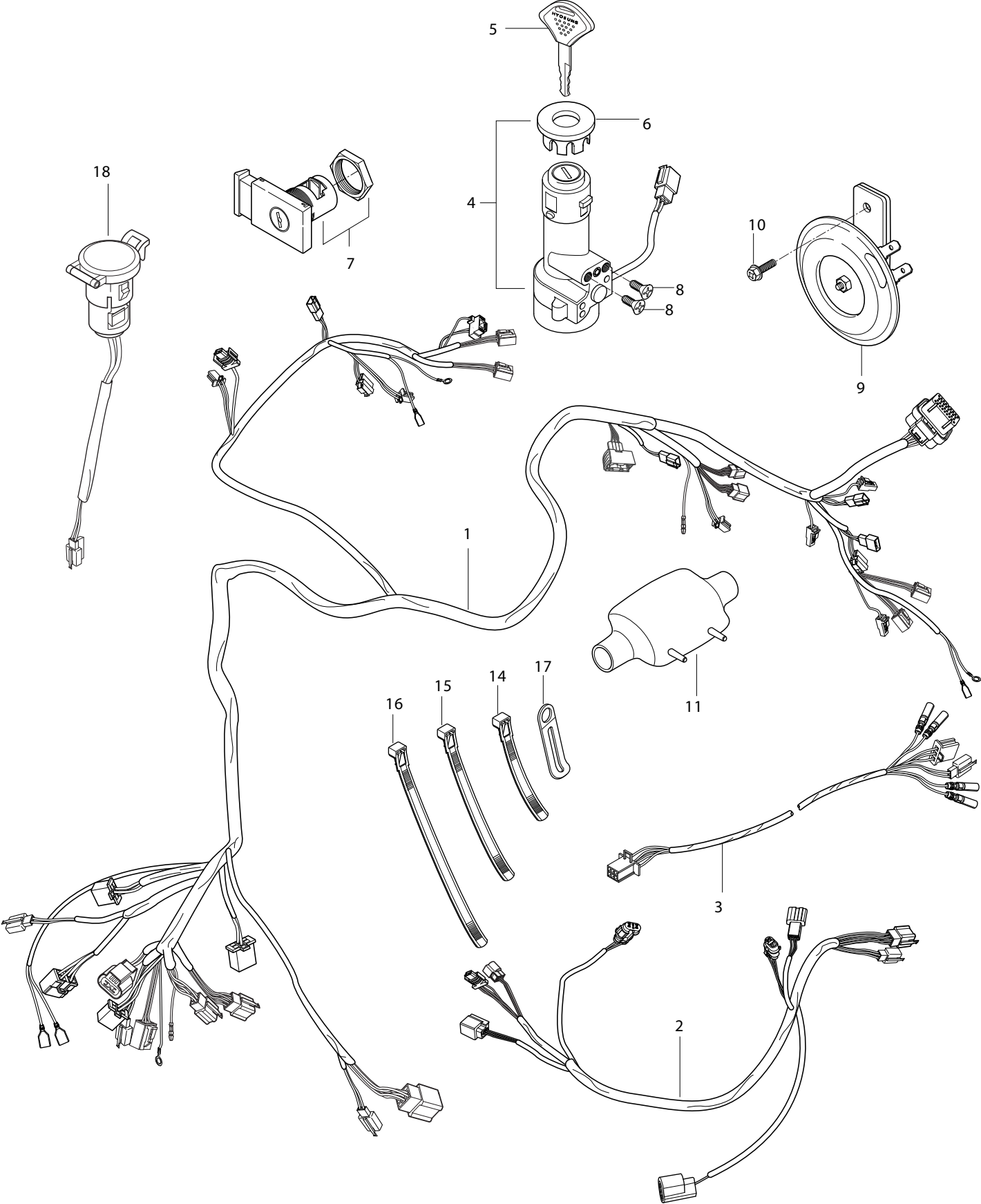
FIG.24



# FIG 24. REAR COMBI LAMP

| REF. PARTS NO. |                         |             |             | PARTS NAME                         | Q`TY | REMARKS | REC.Q`TY /      |
|----------------|-------------------------|-------------|-------------|------------------------------------|------|---------|-----------------|
| NO.            | 7EU01/7FO01/7G001/7SO01 | SUS01-UM    | 7US01       |                                    |      |         | 100 Motorcycles |
|                |                         |             |             |                                    |      |         | (PCS)           |
| 1              | 35710HP7600             | 35710HP7600 | 35710HP7600 | LAMP ASSY, rear combi              | 1    |         | 7               |
| 2              | 09471-12046             | 09471-12046 | 09471-12046 | BULB, tail & stop (12V P21/5W)     | 1    |         | 20              |
| 3              | 03241-05166             | 03241-05166 | 03241-05166 | SCREW, tail & stop                 | 4    |         |                 |
| 4              | 35910HP7600             | 35910HP7600 | 35910HP7600 | LAMP ASSY, license plate           | 1    |         |                 |
| 5              | 09471-12110             | 09471-12110 | 09471-12110 | BULB, license plate lamp (12V W5W) | 1    |         | 20              |
| 6              | 02112-05125             | 02112-05125 | 02112-05125 | BOLT, license lamp                 | 1    |         |                 |

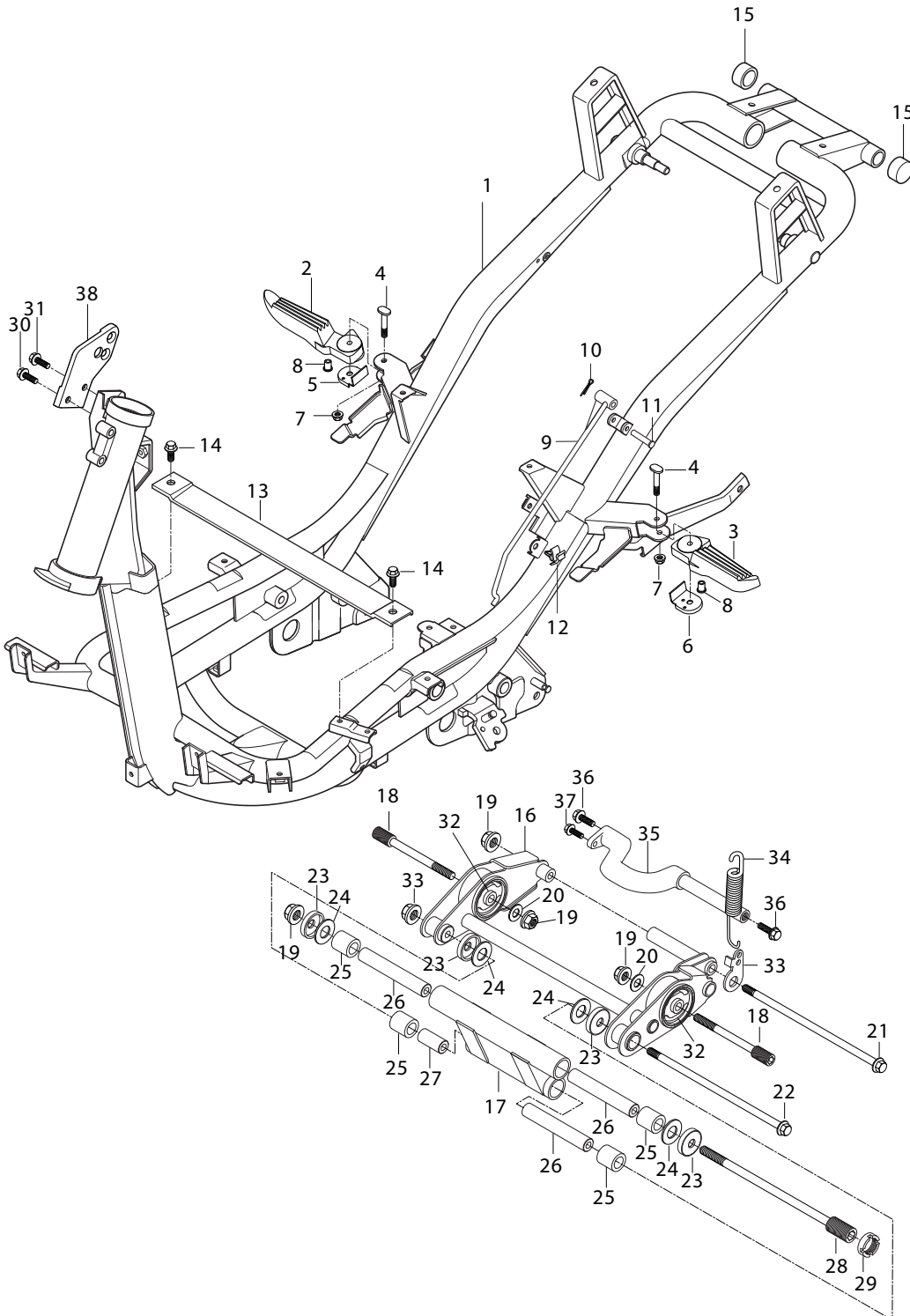
FIG.25



# FIG 25. WIRING HARNESS

| REF. PARTS NO. |                         |             |             | PARTS NAME            | Q`TY | REMARKS | REC.Q'TY /      |
|----------------|-------------------------|-------------|-------------|-----------------------|------|---------|-----------------|
| NO.            | 7EU01/7FO01/7G001/7SO01 | SUS01-UM    | 7US01       |                       |      |         | 100 Motorcycles |
| 1              | 36610HP8800             | 36610HP8800 | 36610HP8800 | HARNESS, wiring       | 1    |         | <b>10</b>       |
| 2              | 17660HS7600             | 17660HS7600 | 17660HS7600 | LEAD WIRE, engine     | 1    |         | <b>10</b>       |
| 3              | 36670HP7601             | 36670HP7601 | 36670HP7601 | LEAD WIRE, rear combi | 1    |         |                 |
| 4              | 37100HP7600             | 37100HP7600 | 37100HP7600 | LOCK ASSY, steering   | 1    |         | <b>5</b>        |
| 5              | 37110HP7600             | 37110HP7600 | 37110HP7600 | KEY COMP, knob        | 1    |         | <b>10</b>       |
| 6              | 37155HP7600             | 37155HP7600 | 37155HP7600 | CAP , steering lock   | 1    |         |                 |
| 7              | 92221HP7600             | 92221HP7600 | 92221HP7600 | LOCK ASSY, trunk      | 1    |         |                 |
| 8              | 01517-06166             | 01517-06166 | 01517-06166 | BOLT, steering lock   | 2    |         |                 |
| 9              | 38500HP7600             | 38500HP7600 | 38500HP7600 | HORN ASSY             | 1    |         |                 |
| 10             | 01517-06166             | 01517-06166 | 01517-06166 | SCREW, horn           | 1    |         |                 |
| 11             | 36618-30610             | 36618-30610 | 36618-30610 | TUBE, wiring harness  | 1    |         |                 |
| 12             | 32800HP8800             | 32800HP8800 | 32800HP8800 | DIODE, ECU            | 1    |         | <b>10</b>       |
| 13             | 32800HJ6170             | 32800HJ6170 | 32800HJ6170 | DIODE, hazard         | 1    |         | <b>10</b>       |
| 14             | 09407-14403             | 09407-14403 | 09407-14403 | CLAMP, wiring harness | 1    |         |                 |
| 15             | 09407-22402             | 09407-22402 | 09407-22402 | CLAMP, wiring harness | 3    |         |                 |
| 16             | 09407-254A1             | 09407-254A1 | 09407-254A1 | CLAMP, wiring harness | 5    |         |                 |
| 17             | 09404-06404             | 09404-06404 | 09404-06404 | CLAMP, wiring harness | 2    |         |                 |
| 18             | 39410HP7600             | 39410HP7600 | 39410HP7600 | SOCKET ASSY, power    | 1    |         |                 |

FIG.26

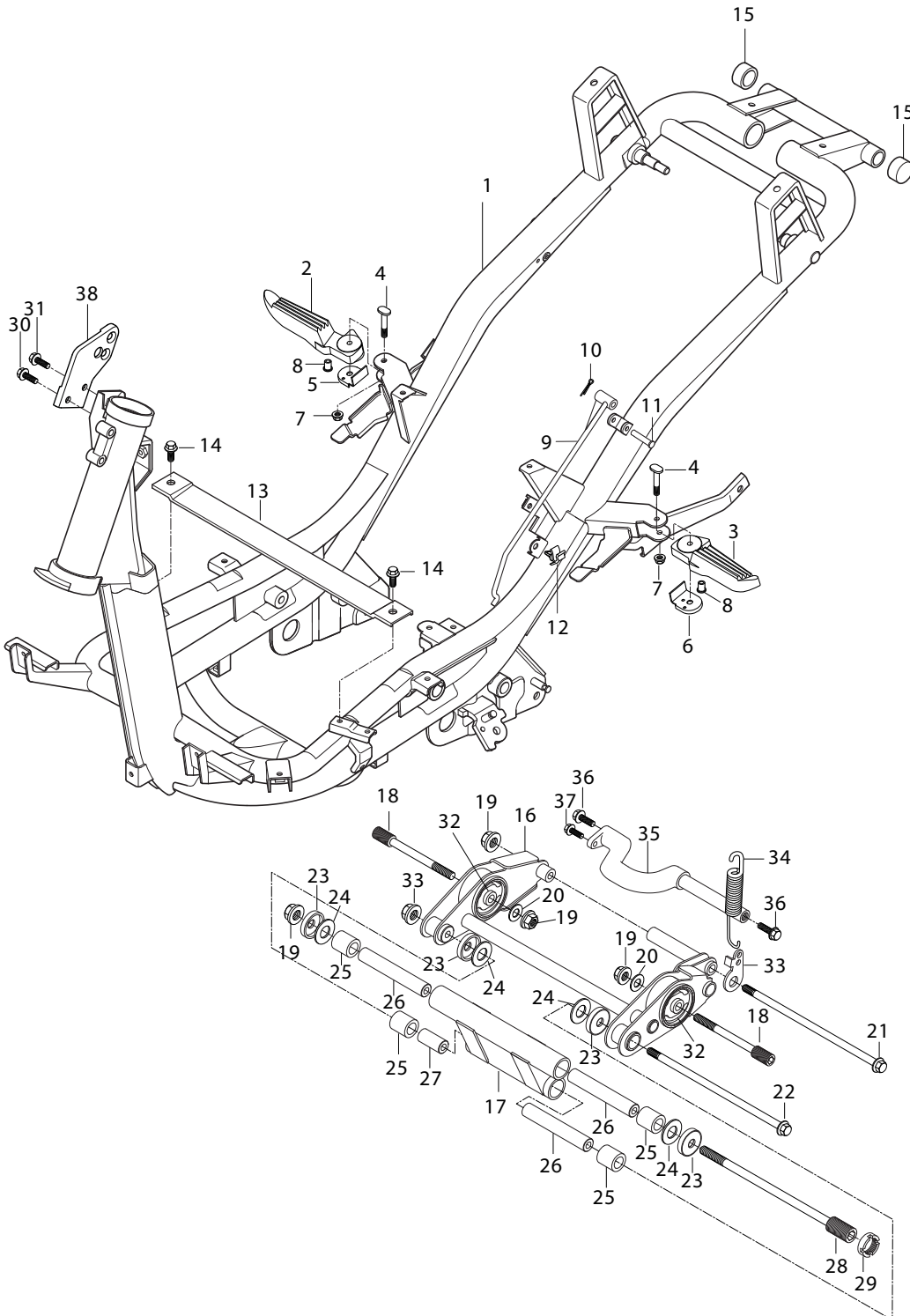


**FWD**

# FIG 26. FRAME

| REF. PARTS NO. |                         |                |                | PARTS NAME                         | Q`TY | REMARKS | REC.Q`TY /      |
|----------------|-------------------------|----------------|----------------|------------------------------------|------|---------|-----------------|
| NO.            | 7EU01/7FO01/7G001/7SO01 | SUS01-UM       | 7US01          |                                    |      |         | 100 Motorcycles |
|                |                         |                |                |                                    |      |         | (PCS)           |
| 1              | 41100HP7600PAM          | 41100HP7600PAM | 41100HP7600PAM | FRAME COMP                         | 1    |         | 2               |
| 2              | 43571HP7600             | 43571HP7600    | 43571HP7600    | FOOTREST, pillion R                | 1    |         | 10              |
| 3              | 43581HP7600             | 43581HP7600    | 43581HP7600    | FOOTREST, pillion L                | 1    |         | 10              |
| 4              | 09106H06230             | 09106H06230    | 09106H06230    | BOLT, pillion footrest             | 2    |         |                 |
| 5              | 43681HP7600             | 43681HP7600    | 43681HP7600    | PLATE, pillion footrest R          | 1    |         | 10              |
| 6              | 43671HP7600             | 43671HP7600    | 43671HP7600    | PLATE, pillion footrest L          | 1    |         | 10              |
| 7              | 08319-21065             | 08319-21065    | 08319-21065    | NUT, pillion footrest              | 2    |         |                 |
| 8              | 43640HP7600             | 43640HP7600    | 43640HP7600    | STOPPER COMP, pillion footrest     | 2    |         |                 |
| 9              | 44180HP7600             | 44180HP7600    | 44180HP7600    | STAY COMP, rear brace              | 1    |         |                 |
| 10             | 04111-25156             | 04111-25156    | 04111-25156    | COTTER PIN, rear brace stay        | 1    |         |                 |
| 11             | 09200H06057             | 09200H06057    | 09200H06057    | PIN, rear brace stay               | 1    |         |                 |
| 12             | 09403-05311             | 09403-05311    | 09403-05311    | CLAMP, rear brace stay             | 1    |         |                 |
| 13             | 41551HP7600             | 41551HP7600    | 41551HP7600    | PLATE, leg shield rr center        | 1    |         |                 |
| 14             | 01517-06125             | 01517-06125    | 01517-06125    | BOLT, leg shield rr center plate   | 2    |         |                 |
| 15             | 09329H25001             | 09329H25001    | 09329H25001    | CUSHION, frame & rr brace          | 2    |         |                 |
| 16             | 61340HP7600HPA          | 61340HP7600HPA | 61340HP7600HPA | LINK COMP+bearing, engine mounting | 1    |         | 5               |
| 17             | 61110HP7600HPA          | 61110HP7600HPA | 61110HP7600HPA | LINK COMP+bearing, engine mounting | 1    |         | 5               |
| 18             | 61129HP7601             | 61129HP7601    | 61129HP7601    | SHAFT, engine mounting link bush   | 2    |         |                 |
| 19             | 08319-31108             | 08319-31108    | 08319-31108    | NUT, engine mounting               | 5    |         |                 |
| 20             | 09160-10001             | 09160-10001    | 09160-10001    | WASHER, eg mtg bush shaft          | 2    |         |                 |
| 21             | 61128HP7600             | 61128HP7600    | 61128HP7600    | SHAFT, engine mounting link rear   | 1    |         |                 |
| 22             | 61127HP7600             | 61127HP7600    | 61127HP7600    | SHAFT, engine mounting link lower  | 1    |         |                 |
| 23             | 61260HP7600             | 61260HP7600    | 61260HP7600    | COVER COMP, engine mounting        | 4    |         |                 |
| 24             | 08211-10341             | 08211-10341    | 08211-10341    | THRUST WASHER                      | 4    |         |                 |
| 25             | 09263-22017             | 09263-22017    | 09263-22017    | BEARING, engine mounting           | 4    |         |                 |
| 26             | 61191HP7600             | 61191HP7600    | 61191HP7600    | SPACER, engine mounting upper      | 3    |         |                 |
| 27             | 61192HP7600             | 61192HP7600    | 61192HP7600    | SPACER, engine mounting lower      | 1    |         |                 |
| 28             | 61124HP7600             | 61124HP7600    | 61124HP7600    | SHAFT, engine mounting link front  | 1    |         |                 |
| 29             | 09141H20001             | 09141H20001    | 09141H20001    | ROCK NUT, eg mtg shaft ft          | 1    |         |                 |

FIG.26



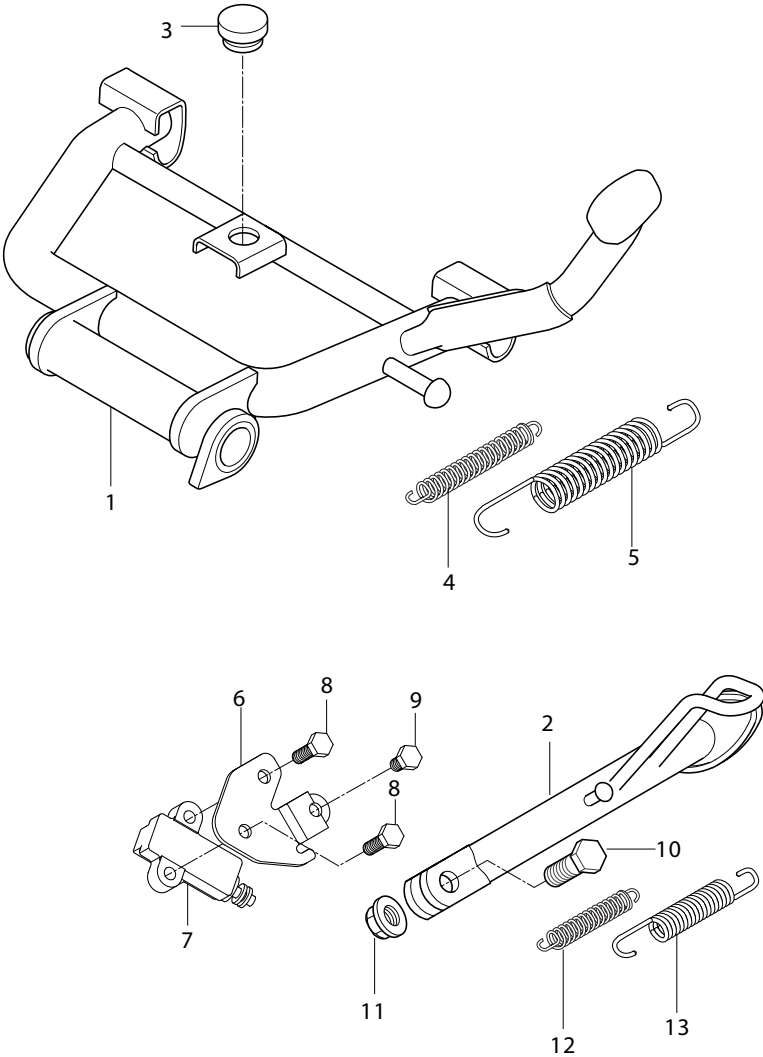
**FWD**

# FIG 26. FRAME

| REF. PARTS NO. |                         |             |             | PARTS NAME                    | Q`TY | REMARKS | REC.Q'TY /<br>100 Motorcycles |
|----------------|-------------------------|-------------|-------------|-------------------------------|------|---------|-------------------------------|
| NO.            | 7EU01/7FO01/7G001/7SO01 | SUS01-UM    | 7US01       |                               |      |         | (PCS)                         |
| 30             | 01517-06128             | 01517-06128 | 01517-06128 | BOLT, key set brkt            | 1    |         |                               |
| 31             | 09139H06016             | 09139H06016 | 09139H06016 | SCREW, key set brakel         | 1    |         |                               |
| 32             | 09319H12006             | 09319H12006 | 09319H12006 | BUSH, engine mounting No.2    | 2    |         |                               |
| 33             | 61342HP7600             | 61342HP7600 | 61342HP7600 | PLATE, e/mounting link spring | 1    |         |                               |
| 34             | 09443H20001             | 09443H20001 | 09443H20001 | SPRING, e/mounting link       | 1    |         |                               |
| 35             | 42212HP7600             | 42212HP7600 | 42212HP7600 | BAR, center stand pivot       | 1    |         |                               |
| 36             | 07110-10258             | 07110-10258 | 07110-10258 | BOLT, center stand pivot bar  | 2    |         |                               |
| 37             | 01517-06128             | 01517-06128 | 01517-06128 | BOLT, center stand pivot bar  | 1    |         |                               |
| 38             | 51150HP7601             | 51150HP7601 | 51150HP7601 | BRAKET COMP, key set          | 1    |         |                               |



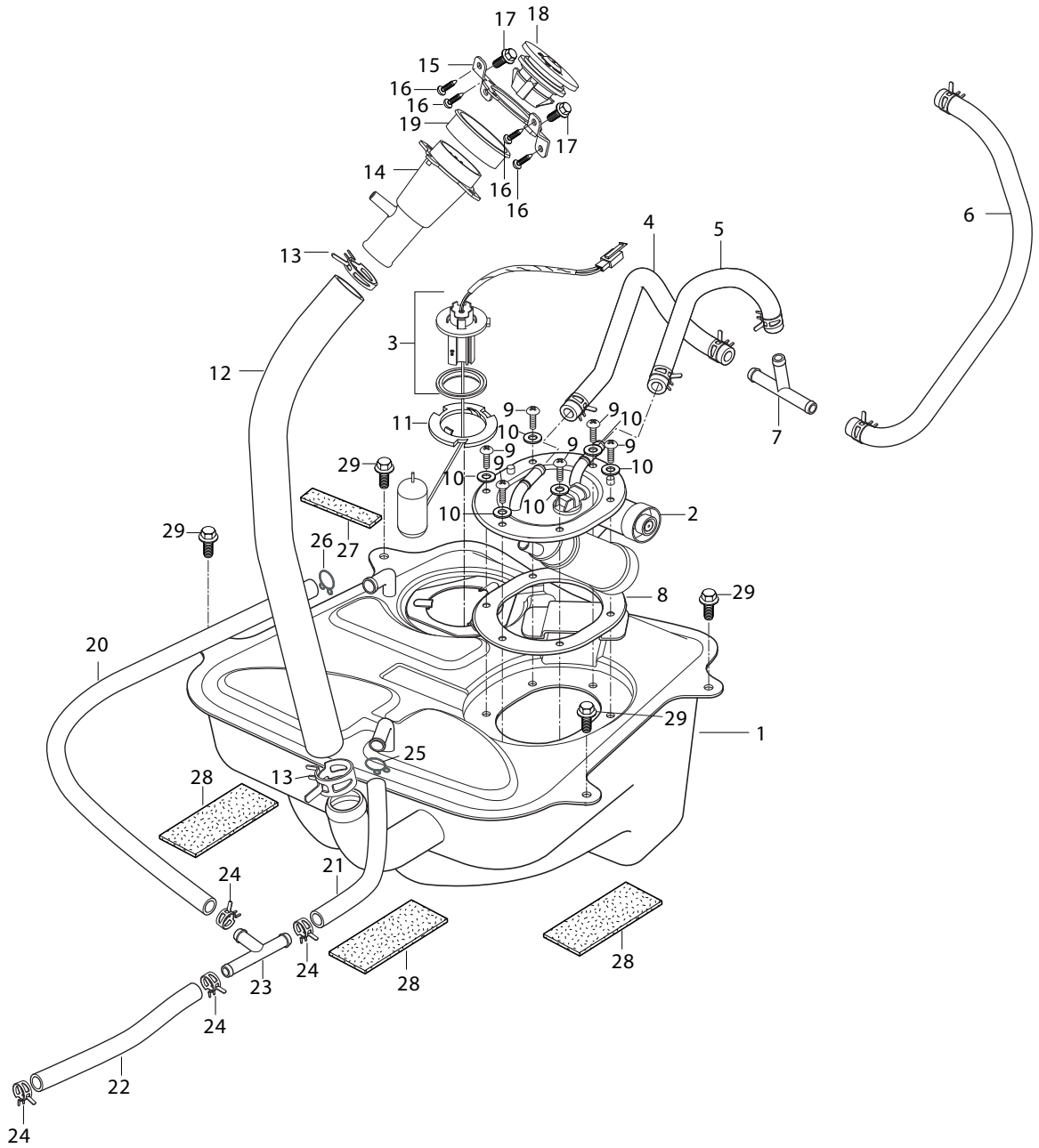
FIG.27



# FIG 27. CENTER STAND

| REF. PARTS NO. |                         |             |             | PARTS NAME                   | Q`TY | REMARKS | REC.Q'TY /      |
|----------------|-------------------------|-------------|-------------|------------------------------|------|---------|-----------------|
| NO.            | 7EU01/7FO01/7G001/7SO01 | SUS01-UM    | 7US01       |                              |      |         | 100 Motorcycles |
| 1              | 42110HP7600             | 42110HP7600 | 42110HP7600 | STAND COMP, center           | 1    |         | 5               |
| 2              | 42310HP7600             | 42310HP7600 | 42310HP7600 | STAND COMP, prop             | 1    |         | 5               |
| 3              | 09321-10001             | 09321-10001 | 09321-10001 | CUSHION, center stand        | 1    |         |                 |
| 4              | 09443-10002             | 09443-10002 | 09443-10002 | SPRING, center stand inner   | 1    |         |                 |
| 5              | 09443-17015             | 09443-17015 | 09443-17015 | SPRING, center stand         | 1    |         |                 |
| 6              | 41861HP7600             | 41861HP7600 | 41861HP7600 | BRACKET, prop stand switch   | 1    |         |                 |
| 7              | 37840HP7600             | 37840HP7600 | 37840HP7600 | SWITCH ASSY, side stand      | 1    |         |                 |
| 8              | 01517-06206             | 01517-06206 | 01517-06206 | BOLT, side stand switch      | 2    |         |                 |
| 9              | 01107-06106             | 01107-06106 | 01107-06106 | BOLT, prop stand switch brkt | 1    |         |                 |
| 10             | 09100-10031             | 09100-10031 | 09100-10031 | BOLT, prop stand             | 1    |         |                 |
| 11             | 08313-11107             | 08313-11107 | 08313-11107 | NUT, prop stand              | 1    |         |                 |
| 12             | 09443-06001             | 09443-06001 | 09443-06001 | SPRING, prop stand inner     | 1    |         |                 |
| 13             | 09443H14037             | 09443H14037 | 09443H14037 | SPRING, prop stand           | 1    |         |                 |

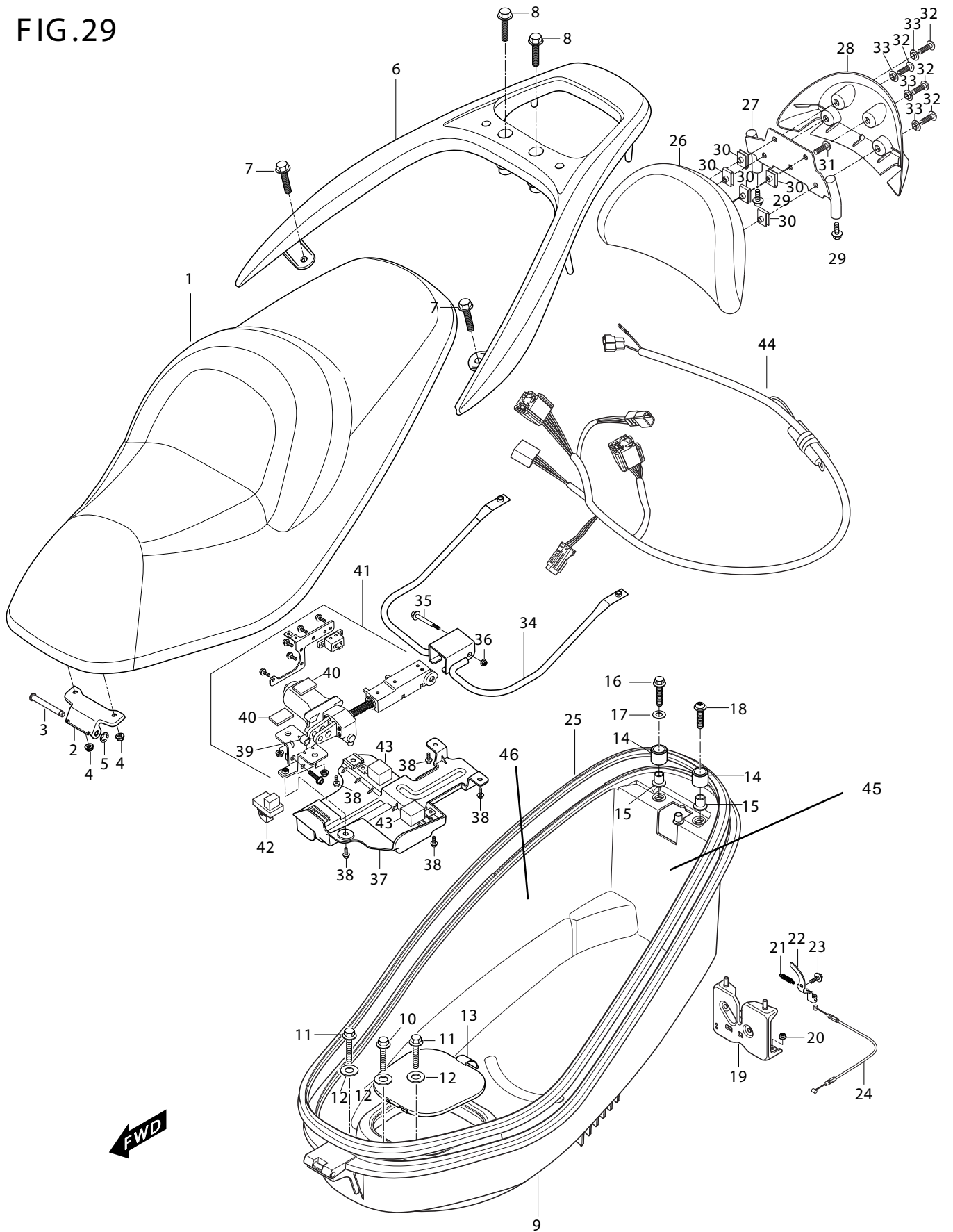
FIG.28



# FIG 28. FUEL TANK

| REF. PARTS NO.              |                |                |                | PARTS NAME                           | Q`TY | REMARKS | REC.Q`TY /      |
|-----------------------------|----------------|----------------|----------------|--------------------------------------|------|---------|-----------------|
| NO. 7EU01/7FO01/7G001/7SO01 |                | SUS01-UM       | 7US01          |                                      |      |         | 100 Motorcycles |
|                             |                |                |                |                                      |      |         | (PCS)           |
| 1                           | 44110HP8800PAH | 44110HP8800PAH | 44110HP8800PAH | TANK COMP, fuel                      | 1    |         | 5               |
| 2                           | 15100HP8800    | 15100HP8800    | 15100HP8800    | PUMP ASS'Y, fuel module              | 1    |         | 5               |
| 3                           | 34810HP7600    | 34810HP7600    | 34810HP7600    | GAUGE ASSY, fuel sender              | 1    |         | 5               |
| 4                           | 15812HP8801    | 15812HP8801    | 15812HP8801    | HOSE, fuel pump & joint              | 1    |         | 12              |
| 5                           | 15813HP8801    | 15813HP8801    | 15813HP8801    | HOSE, regulator & joint              | 1    |         | 12              |
| 6                           | 15811HP8801    | 15811HP8801    | 15811HP8801    | HOSE, fuel injector                  | 1    |         | 12              |
| 7                           | 15911HP8800    | 15911HP8800    | 15911HP8800    | JOINT, fuel hose                     | 1    |         |                 |
| 8                           | 34825HP8800    | 34825HP8800    | 34825HP8800    | PACKING, fuel pump module            | 1    |         |                 |
| 9                           | 02142-05165    | 02142-05165    | 02142-05165    | BOLT, fuel pump module               | 6    |         |                 |
| 10                          | 09168-05008    | 09168-05008    | 09168-05008    | GASKET, fuel pump                    | 6    |         | 15              |
| 11                          | 34811HE7100    | 34811HE7100    | 34811HE7100    | PLATE, fuel gauge                    | 1    |         |                 |
| 12                          | 44251HP7600    | 44251HP7600    | 44251HP7600    | HOSE, f/tank inlet pipe & f/tank cap | 1    |         |                 |
| 13                          | 09401H34401    | 09401H34401    | 09401H34401    | CLAMP                                | 2    |         |                 |
| 14                          | 44231HP7601    | 44231HP7601    | 44231HP7601    | FILLER, fuel hose inlet              | 1    |         |                 |
| 15                          | 44250HP7600    | 44250HP7600    | 44250HP7600    | PLATE COMP, fuel filler              | 1    |         |                 |
| 16                          | 03241-05126    | 03241-05126    | 03241-05126    | SCREW, fuel tank cap housing         | 4    |         |                 |
| 17                          | 01517-06125    | 01517-06125    | 01517-06125    | SCREW, fuel filler                   | 2    |         |                 |
| 18                          | 44200HP7600    | 44200HP7600    | 44200HP7600    | CAP ASSY, fuel tank filler           | 1    |         |                 |
| 19                          | 09281H51001    | 09281H51001    | 09281H51001    | DUST SEAL                            | 1    |         |                 |
| 20                          | 44238HP7600    | 44238HP7600    | 44238HP7600    | HOSE, air vent rear                  | 1    |         |                 |
| 21                          | 44237HP7601    | 44237HP7601    | 44237HP7601    | HOSE, air vent lower                 | 1    |         |                 |
| 22                          | 44236HP7601    | 44236HP7601    | 44236HP7601    | HOSE, air vent                       | 1    |         |                 |
| 23                          | 15911HP8800    | 15911HP8800    | 15911HP8800    | JOINT, air vent hose                 | 1    |         |                 |
| 24                          | 09401H11403    | 09401H11403    | 09401H11403    | CLAMP, air vent hose                 | 4    |         |                 |
| 25                          | 09401H11401    | 09401H11401    | 09401H11401    | CLIP, air vent hose                  | 1    |         |                 |
| 26                          | 09401-08401    | 09401-08401    | 09401-08401    | CLIP, air vent hose rear             | 1    |         |                 |
| 27                          | 44218HP7600    | 44218HP7600    | 44218HP7600    | CUSHION, fuel tank                   | 1    |         |                 |
| 28                          | 44215HP7600    | 44215HP7600    | 44215HP7600    | CUSHION, fuel tank lower             | 3    |         |                 |
| 29                          | 01517-06125    | 01517-06125    | 01517-06125    | SCREW, fuel tank                     | 4    |         |                 |

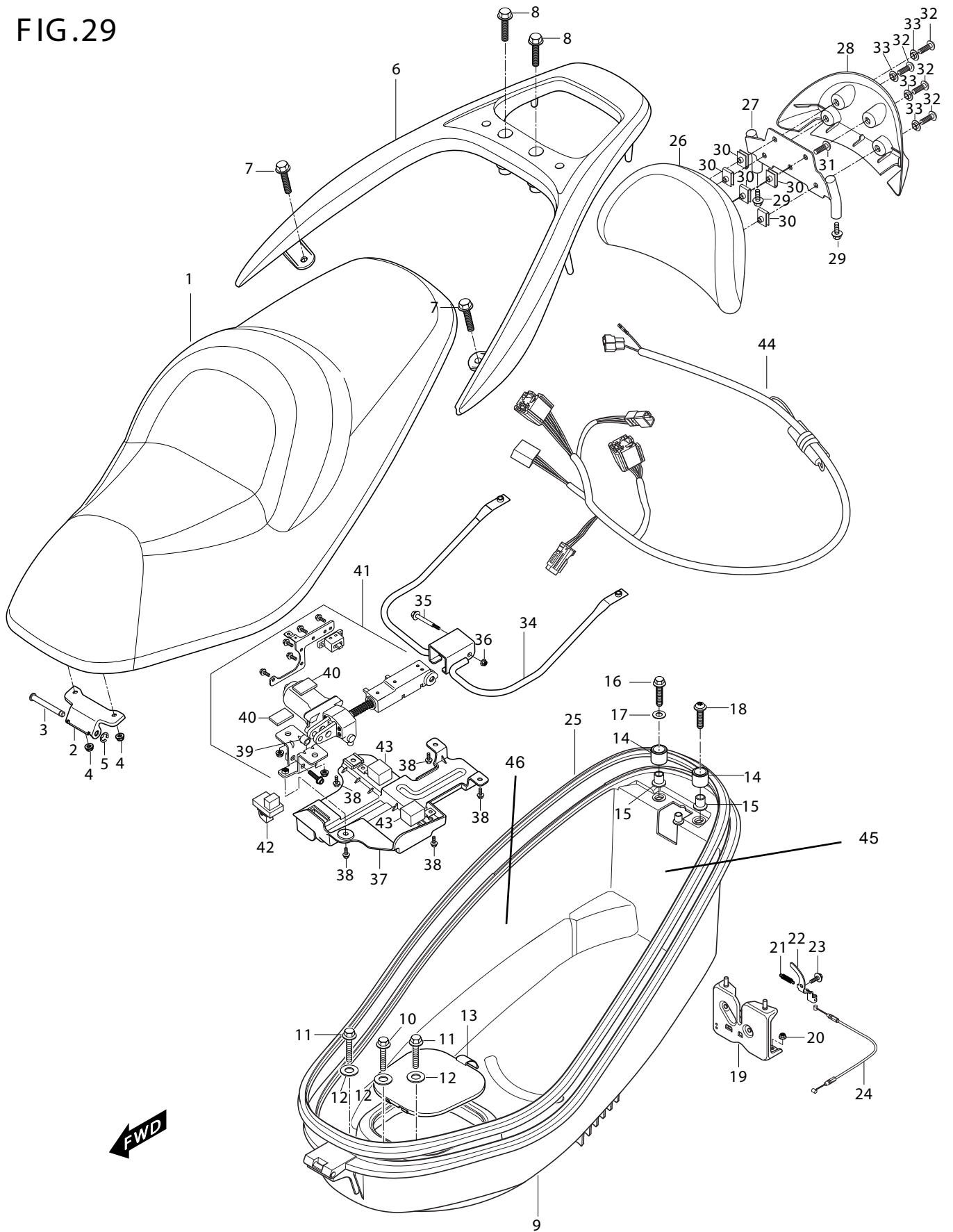
FIG.29



# FIG 29. SEAT

| REF. PARTS NO. |                         |             |             | PARTS NAME                             | Q`TY | REMARKS | REC.Q`TY /      |
|----------------|-------------------------|-------------|-------------|--|------|---------|-----------------|
| NO.            | 7EU01/7FO01/7G001/7SO01 | SUS01-UM    | 7US01       |  |      |         | 100 Motorcycles |
| 1              | 45100HP7600             | 45100HP7600 | 45100HP7600 | SEAT SET                               | 1    |         | 3               |
| 2              | 45281HP7600             | 45281HP7600 | 45281HP7600 | BRACKET, seat support                  | 1    |         |                 |
| 3              | 09200H06060             | 09200H06060 | 09200H06060 | PIN, seat support bracket              | 1    |         |                 |
| 4              | 08316-16068             | 08316-16068 | 08316-16068 | NUT, bracket seat support              | 2    |         |                 |
| 5              | 08332-11068             | 08332-11068 | 08332-11068 | E-RING, seat support bracket pin       | 1    |         |                 |
| 6              | 46411HP7601             | 46411HP7601 | 46411HP7601 | CARRIER, rear                          | 1    |         | 3               |
| 7              | 01517-08258             | 01517-08258 | 01517-08258 | BOLT, rear carrier & frame             | 2    |         |                 |
| 8              | 01517-08508             | 01517-08508 | 01517-08508 | BOLT, rear carrier & rr brace          | 2    |         |                 |
| 9              | 91311HP7600             | 91311H78860 | 91311H78860 | BOX, helmet                            | 1    |         |                 |
| 10             | 01517-06125             | 01517-06125 | 01517-06125 | BOLT, helmet box ft center             | 1    |         |                 |
| 11             | 01517-06165             | 01517-06165 | 01517-06165 | BOLT, helmet box ft R/L                | 2    |         |                 |
| 12             | 09160-06006             | 09160-06006 | 09160-06006 | WASHER, helmet box ft R/L & center     | 3    |         |                 |
| 13             | 92321HP7600             | 92321HP7600 | 92321HP7600 | COVER, helmetbox inner                 | 1    |         |                 |
| 14             | 09320H09020             | 09320H09020 | 09320H09020 | CUSHION                                | 2    |         |                 |
| 15             | 45270HP7600             | 45270HP7600 | 45270HP7600 | SPACER COMP, seat cushion              | 2    |         |                 |
| 16             | 01547-06253             | 01547-06253 | 01547-06253 | BOLT, seat cushion                     | 1    |         |                 |
| 17             | 08322-21065             | 08322-21065 | 08322-21065 | WASHER, seat cushion bolt              | 1    |         |                 |
| 18             | 09139H06021             | 09139H06021 | 09139H06021 | SCREW, seat cushion                    | 1    |         |                 |
| 19             | 45220HG2601             | 45220HG2601 | 45220HG2601 | LOCK, seat striker                     | 1    |         |                 |
| 20             | 08316-26066             | 08316-26066 | 08316-26066 | NUT, seat striker lock                 | 2    |         |                 |
| 21             | 09443H06006             | 09443H06006 | 09443H06006 | SPRING, seat striker lock no.3 & frame | 1    |         |                 |
| 22             | 45551HL7300             | 45551HL7300 | 45551HL7300 | PLATE, seat striker lock NO.3          | 1    |         |                 |
| 23             | 09111-06019             | 09111-06019 | 09111-06019 | BOLT, seat striker & frame             | 1    |         |                 |
| 24             | 45280HP7600             | 45280HP7600 | 45280HP7600 | CABLE COMP, seat lock                  | 1    |         |                 |
| 25             | 45211HP7600             | 45211HP7600 | 45211HP7600 | MOLDING, seat                          | 1    |         |                 |
| 26             | 45310HP7600             | 45310HP7600 | 45310HP7600 | SEAT COMP, back rest                   | 1    |         |                 |
| 27             | 45320HP7600             | 45320HP7600 | 45320HP7600 | BRKT COMP, back rest seat              | 1    |         |                 |
| 28             | 45331HP7600             | 45331HP7600 | 45331HP7600 | COVER back rest seat                   | 1    |         |                 |
| 29             | 07120-08258             | 07120-08258 | 07120-08258 | BOLT, back rest & carrier              | 2    |         |                 |

FIG.29

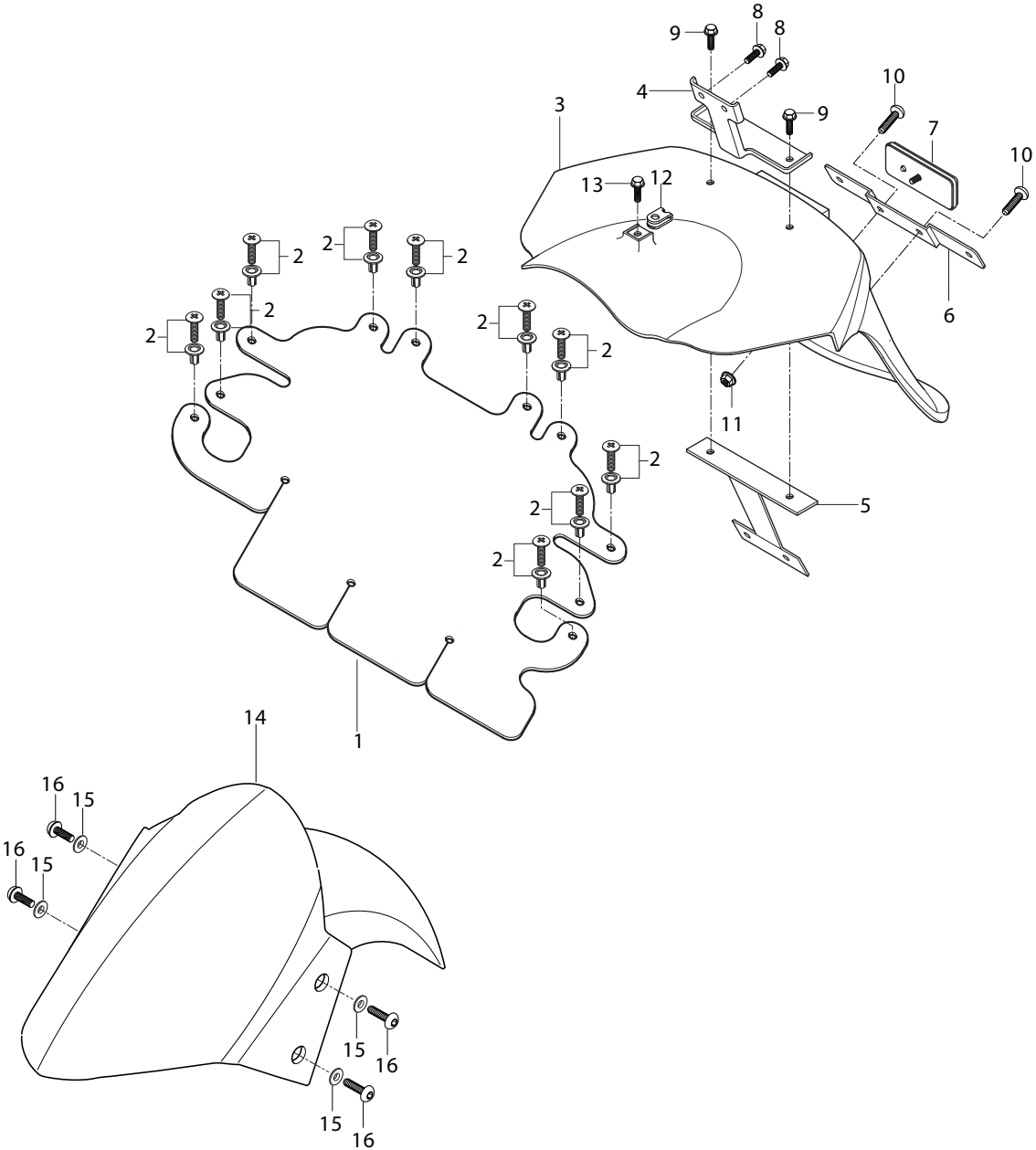


# FIG 29. SEAT

| REF. PARTS NO. |                         | PARTS NAME    |               | Q'TY                         | REMARKS | REC.Q'TY /<br>100 Motorcycles |
|----------------|-------------------------|---------------|---------------|------------------------------|---------|-------------------------------|
| NO.            | 7EU01/7FO01/7G001/7SO01 | SUS01-UM      | 7US01         |                              |         | (PCS)                         |
| 30             | 09148-06020             | 09148-06020   | 09148-06020   | NUT, back rest seat          | 5       | 3                             |
| 31             | 09106H06150             | 09106H06150   | 09106H06150   | SCREW, back reat seat & brkt | 1       | 5                             |
| 32             | 09106H06200             | 09106H06200   | 09106H06200   | SCREW, back reat seat cover  | 4       | 5                             |
| 33             | 09169H06078             | 09169H06078   | 09169H06078   | WASHER, back reat seat cover | 4       | 10                            |
| 34             | 45140HP7650             | 45140HP7650   | 45140HP7650   | ROD COMP, back reat seat FT  | 1       | 5                             |
| 35             | 09111H06002             | 09111H06002   | 09111H06002   | BOLT, motor assy & rod comp  | 1       |                               |
| 36             | 08319-31068             | 08319-31068   | 08319-31068   | NUT, motor assy & rod comp   | 1       |                               |
| 37             | 45152HP7650             | 45152HP7650   | 45152HP7650   | COVER, seat set & motor assy | 1       |                               |
| 38             | 09106H06150             | 09106H06150   | 09106H06150   | SCREW, seat set & cover      | 5       |                               |
| 39             | 45132HP7650             | 45132HP7650   | 45132HP7650   | SPACER, seat motor assy      | 1       | 4                             |
| 40             | 45151HP7650             | 45151HP7650   | 45151HP7650   | CUSHION, seat set            | 2       | 5                             |
| 41             | 45160HP7600             | 45160HP7600   | 45160HP7600   | MOTOR ASS'Y seat             | 1       |                               |
| 42             | 37850HP7600             | 37850HP7600   | 37850HP7600   | SWITCH ASS'Y, seat           | 1       | 5                             |
| 43             | 38730HP7600             | 38730HP7600   | 38730HP7600   | ROLOY ASS'Y seat motor       | 2       | 5                             |
| 44             | 36650HP7600             | 36650HP7600   | 36650HP7600   | LEAD WIRE, seat              | 1       | 5                             |
| 45             | 68322HP7650PL           | 68322HP7650PL | 68322HP7650PL | LABEL for 7EU01,SUS01,7US01  | 1       | English language              |
|                | 68322HP7660PL           |               |               | LABEL for 7G01               | 1       | Germany language              |
|                | 68322HP76800PL          |               |               | LABEL for 7S01               | 1       | Spain language                |
|                | 68322HP76900PL          |               |               | LABEL for 7F01               | 1       | France language               |
| 46             |                         | 68911H78870   | 68911H78860   | LABEL,EPA NOISE              | 1       |                               |
|                |                         | 68921H78860   | 68921H78860   | LABEL,EMISSION               | 1       |                               |



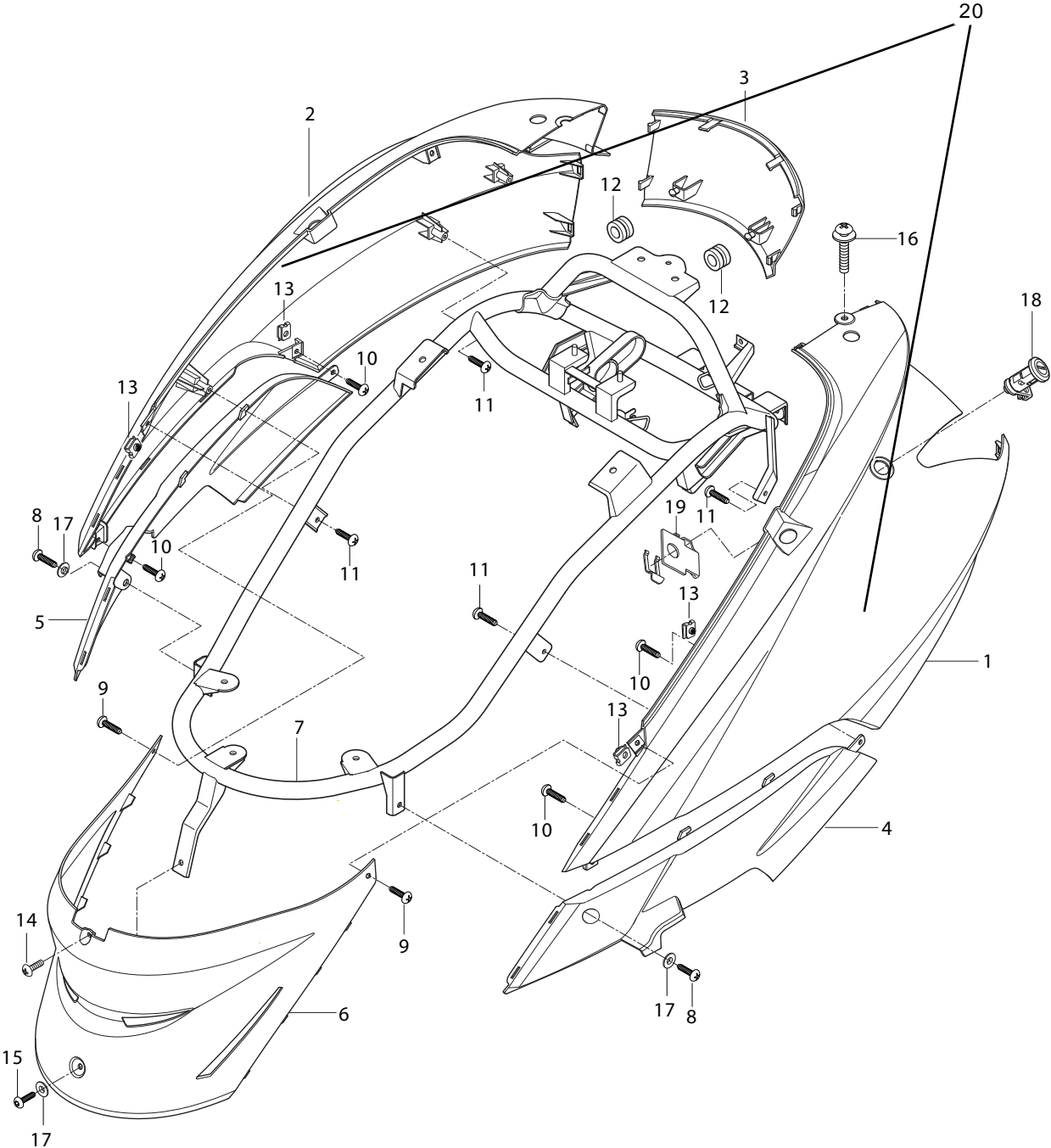
FIG.30



# FIG 30. REAR FENDER

| REF. PARTS NO. |                         |             |             | PARTS NAME                             | Q`TY | REMARKS | REC.Q`TY /<br>100 Motorcycles |
|----------------|-------------------------|-------------|-------------|--|------|---------|-------------------------------|
| NO.            | 7EU01/7FO01/7G001/7SO01 | SUS01-UM    | 7US01       |  |      |         | (PCS)                         |
| 1              | 63122HP7600             | 63122HP7600 | 63122HP7600 | MUD GUARD, rear                        | 1    |         |                               |
| 2              | 09407-08307             | 09407-08307 | 09407-08307 | SCRIVET                                | 8    |         |                               |
| 3              | 63111HP7600             | 63111HP7600 | 63111HP7600 | FENDER, rear                           | 1    |         | <b>10</b>                     |
| 4              | 63154HP7600             | 63154HP7600 | 63154HP7600 | BRKT, rear fender upper                | 1    |         |                               |
| 5              | 63160HP7600             | 63160HP7600 | 63160HP7600 | BRKT COMP, rr fender up & rr fender b. | 1    |         |                               |
| 6              | 35927HP7600             | 35927HP7600 | 35927HP7600 | BRKT, license plate                    | 1    |         |                               |
| 7              | 35970HP7600             | 35970HP7600 | 35970HP7600 | REFLEX REFLECTOR ASSY, rear            | 1    |         | <b>10</b>                     |
| 8              | 01517-06125             | 01517-06125 | 01517-06125 | BOLT, rear fender upper brkt           | 2    |         |                               |
| 9              | 01517-06165             | 01517-06165 | 01517-06165 | BOLT, rr fender up & rr fender brkt    | 2    |         |                               |
| 10             | 02142-06125             | 02142-06125 | 02142-06125 | BOLT, license plate brkt               | 2    |         |                               |
| 11             | 08316-26055             | 08316-26055 | 08316-26055 | NUT, rear reflex reflector             | 1    |         |                               |
| 12             | 09148-06020             | 09148-06020 | 09148-06020 | NUT, rear fender                       | 1    |         |                               |
| 13             | 01517-06166             | 01517-06166 | 01517-06166 | BOLT, rr fender & frame                | 1    |         |                               |
| 14             | 53111HP7601             | 53111HP7601 | 53111HP7601 | FENDER, front                          | 1    |         | <b>10</b>                     |
| 15             | 09169H06078             | 09169H06078 | 09169H06078 | WASHER, front fender                   | 4    |         |                               |
| 16             | 09106H06150             | 09106H06150 | 09106H06150 | BOLT, front fender                     | 4    |         |                               |

FIG.31

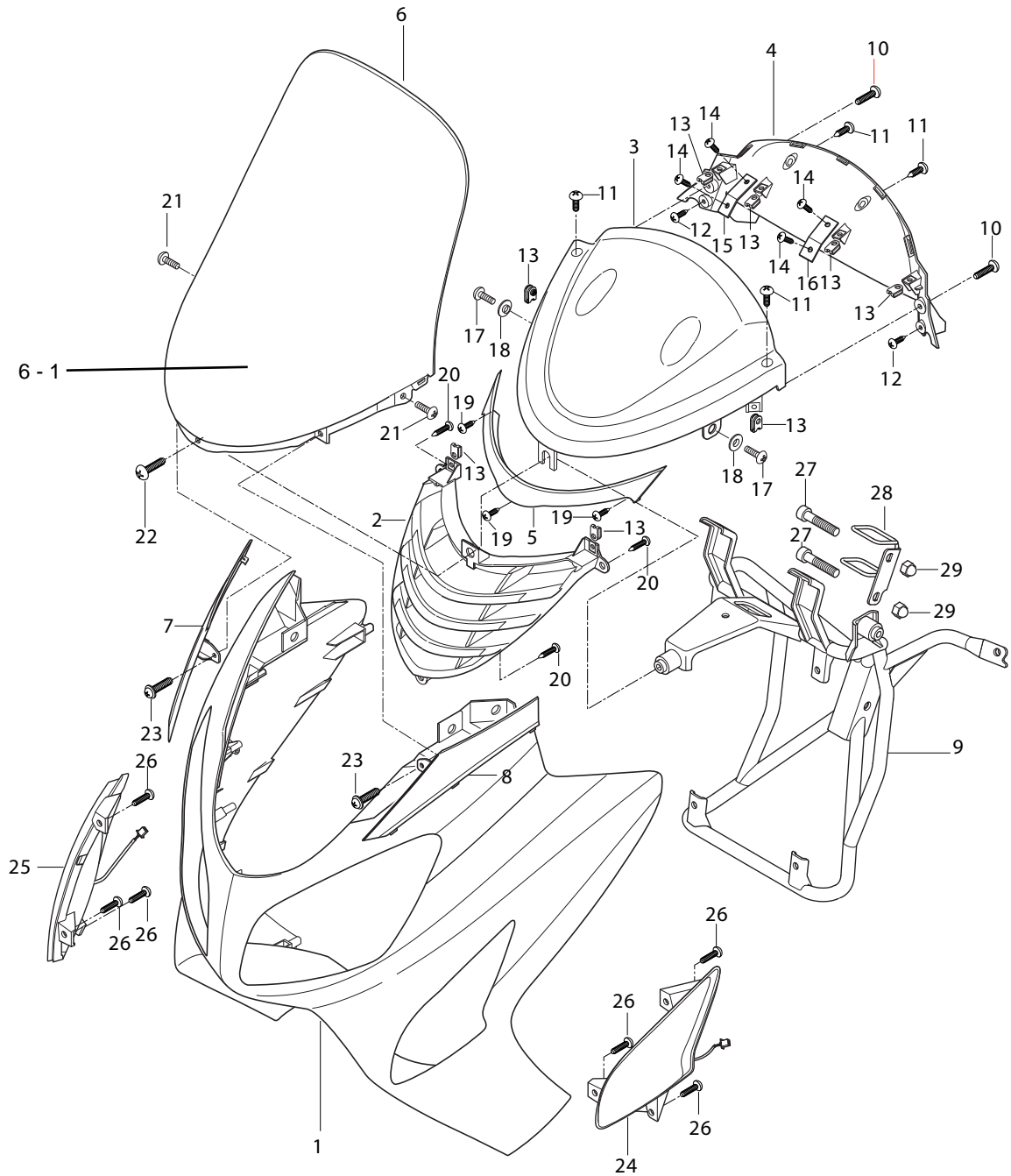


FWD

# FIG 31. SIDE COVER

| REF. PARTS NO. |                         |                |                | PARTS NAME                               | Q`TY | REMARKS | REC.Q'TY /      |
|----------------|-------------------------|----------------|----------------|--|------|---------|-----------------|
| NO.            | 7EU01/7FO01/7G001/7SO01 | SUS01-UM       | 7US01          |  |      |         | 100 Motorcycles |
| 1              | 47211HP7600             | 47211HP7600    | 47211HP7600    | COVER, side L(CBN,CDS,CMB)               | 1    |         | 10              |
| 2              | 47111HP7600             | 47111HP7600    | 47111HP7600    | COVER, side R(CBN,CDS,CMB)               | 1    |         | 10              |
| 3              | 47455HP7600             | 47455HP7600    | 47455HP7600    | COVER, side rear(CBN,CDS,CMB)            | 1    |         | 10              |
| 4              | 47262HP7600OLS          | 47262HP7600OLS | 47262HP7600OLS | COVER, side front lower L                | 1    |         | 10              |
| 5              | 47252HP7600OLS          | 47252HP7600OLS | 47252HP7600OLS | COVER, side front lower R                | 1    |         | 10              |
| 6              | 47151HP7601             | 47151HP7601    | 47151HP7601    | COVER, side front                        | 1    |         | 10              |
| 7              | 45520HP7600PAM          | 45520HP7600PAM | 45520HP7600PAM | BRACE COMP, rear                         | 1    |         | 3               |
| 8              | 02142-06125             | 02142-06125    | 02142-06125    | SCREW, side lwr cover & rr brace         | 2    |         |                 |
| 9              | 02142-05125             | 02142-05125    | 02142-05125    | SCREW, side front cover & side lwr cover | 2    |         |                 |
| 10             | 03241-05165             | 03241-05165    | 03241-05165    | SCREW, side cover r/l & side lwr cover l | 4    |         |                 |
| 11             | 03241-05165             | 03241-05165    | 03241-05165    | SCREW, side cover r/l & rr brace         | 4    |         |                 |
| 12             | 09320-08013             | 09320-08013    | 09320-08013    | CUSHION, rear brace & side cover rear    | 2    |         |                 |
| 13             | 09148H05029             | 09148H05029    | 09148H05029    | NUT, side cover R/L                      | 4    |         |                 |
| 14             | 09106H05150             | 09106H05150    | 09106H05150    | SCREW, side cover ft & helmet box        | 1    |         |                 |
| 15             | 09106H06150             | 09106H06150    | 09106H06150    | SCREW, side front cover & rear brace     | 1    |         |                 |
| 16             | 09136-06113             | 09136-06113    | 09136-06113    | SCREW, side cover R&L                    | 1    |         |                 |
| 17             | 09169H06078             | 09169H06078    | 09169H06078    | WASHER, side cover                       | 3    |         |                 |
| 18             | 45700HP7600             | 45700HP7600    | 45700HP7600    | COCK ASS'Y, seat                         | 1    |         |                 |
| 19             | 45381HP7600             | 45381HP7600    | 45381HP7600    | GUIDE, seat lock cable                   | 1    |         |                 |
| 20             | 68310HP8800             |                | 68310HP8800    | EMBLEM, MS3-250cc                        | 2    |         |                 |
| 20             |                         | 68310H78870    |                | EMBLEM, XPEED250                         | 2    |         |                 |

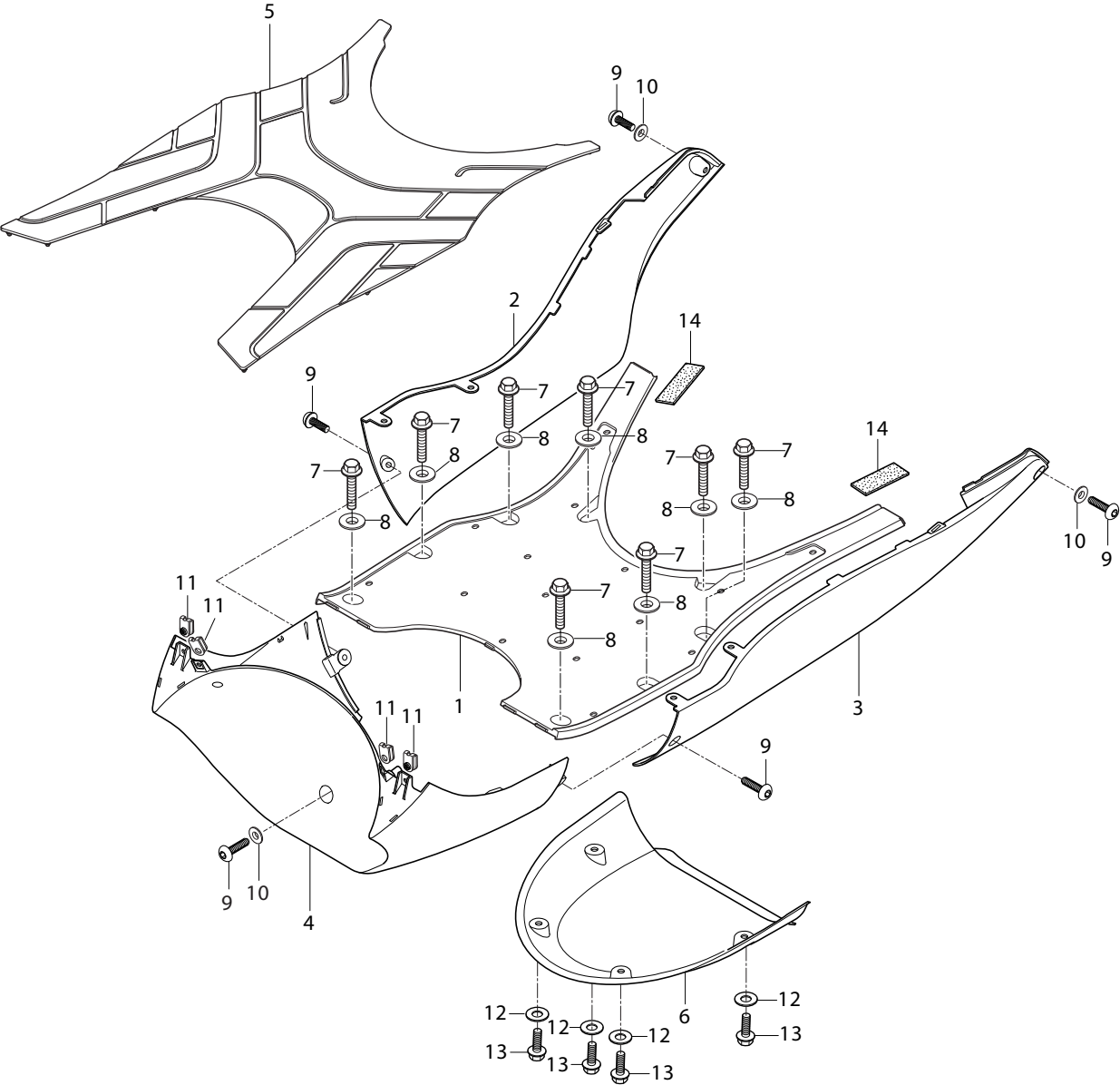
FIG.32



# FIG 32. LEG SHIELD FRONT

| REF. PARTS NO. |                         |               |                | PARTS NAME                               | Q`TY | REMARKS | REC.Q`TY /      |
|----------------|-------------------------|---------------|----------------|--|------|---------|-----------------|
| NO.            | 7EU01/7FO01/7G001/7SO01 | SUS01-UM      | 7US01          |  |      |         | 100 Motorcycles |
| 1              | 48111HP7600             | 48111HP7600   | 48111HP7600    | SHIELD LEG, front (CBN,CDS,CMB)          | 1    |         | 10              |
| 2              | 48211HP7601CR           | 48211HP7601CR | 48211HP7601CR  | DECO, leg shield front                   | 1    |         | 10              |
| 3              | 48511HP7600             | 48511HP7600   | 48511HP7600    | COVER, speedometer front                 | 1    |         | 10              |
| 4              | 48512HP7600             | 48512HP7600   | 48512HP7600    | COVER, speedometer rear                  | 1    |         | 10              |
| 5              | 48312HP7600             | 48312HP7600   | 48312HP7600    | DECO, leg shield front upper             | 1    |         | 10              |
| 6              | 94611HP7600             | 94611HP7600   | 94611HP7600    | WINDSCREEN                               | 1    |         | 5               |
| 6-1            | 68120HL7300120          |               | 68120HL7300120 | EMBLEM, HYOSUNG                          | 1    |         |                 |
| 6-1            |                         | 68120H78870   |                | EMBLEM, UM                               | 1    |         |                 |
| 7              | 48314HP7600             | 48314HP7600   | 48314HP7600    | DECO, leg shield front R(CBN,CDS,CM      | 1    |         | 10              |
| 8              | 48324HP7600             | 48324HP7600   | 48324HP7600    | DECO, leg shield front L(CBN,CDS,CM      | 1    |         | 10              |
| 9              | 94510HP7600             | 94510HP7600   | 94510HP7600    | BRACE COMP, radiator & leg shield        | 1    |         | 3               |
| 10             | 02142-05125             | 02142-05125   | 02142-05125    | SCREW, s/meter rr cov & l/shield ft deco | 2    |         |                 |
| 11             | 03241-05165             | 03241-05165   | 03241-05165    | SCREW, s/meter ft cov & s/meter rr cov   | 4    |         |                 |
| 12             | 03241-05125             | 03241-05125   | 03241-05125    | SCREW, s/meter rr cov & leg shield cov   | 2    |         |                 |
| 13             | 09148H05029             | 09148H05029   | 09148H05029    | NUT, speedometer rear cover              | 8    |         |                 |
| 14             | 02142-05125             | 02142-05125   | 02142-05125    | SCREW, speedometer brakt                 | 4    |         |                 |
| 15             | 34930HP7600             | 34930HP7600   | 34930HP7600    | BRACKET, speedometer low RH              | 1    |         |                 |
| 16             | 34935HP7600             | 34935HP7600   | 34935HP7600    | BRACKET, speedometer low LH              | 1    |         |                 |
| 17             | 02142-06166             | 02142-06166   | 02142-06166    | SCREW, ft l/shield & radi brace & s/met  | 2    |         |                 |
| 18             | 09160-06019             | 09160-06019   | 09160-06019    | WASHER, ft l/shield & radi brace & s/m   | 2    |         |                 |
| 19             | 03211-04126             | 03211-04126   | 03211-04126    | SCREW, l/shield ft up deco & ft deco     | 3    |         |                 |
| 20             | 02142-05125             | 02142-05125   | 02142-05125    | SCREW, l/shield ft deco & ft l/shield    | 3    |         |                 |
| 21             | 02142-05165             | 02142-05165   | 02142-05165    | SCREW, windscreen & leg shield FT        | 2    |         |                 |
| 22             | 02142-06165             | 02142-06165   | 02142-06165    | SCREW, windscreen & brace                | 1    |         |                 |
| 23             | 02142-05165             | 02142-05165   | 02142-05165    | SCREW, ft leg shield deco R/L            | 2    |         |                 |
| 24             | 35601HP7600             | 35601HP7600   | 35601HP7600    | LAMP ASSY, fr turn signal R              | 1    |         |                 |
| 25             | 35602HP7600             | 35602HP7600   | 35602HP7600    | LAMP ASSY, fr turn signal L              | 1    |         |                 |
| 26             | 03241-05166             | 03241-05166   | 03241-05166    | SCREW, turn signal lamp                  | 6    |         |                 |

FIG.33



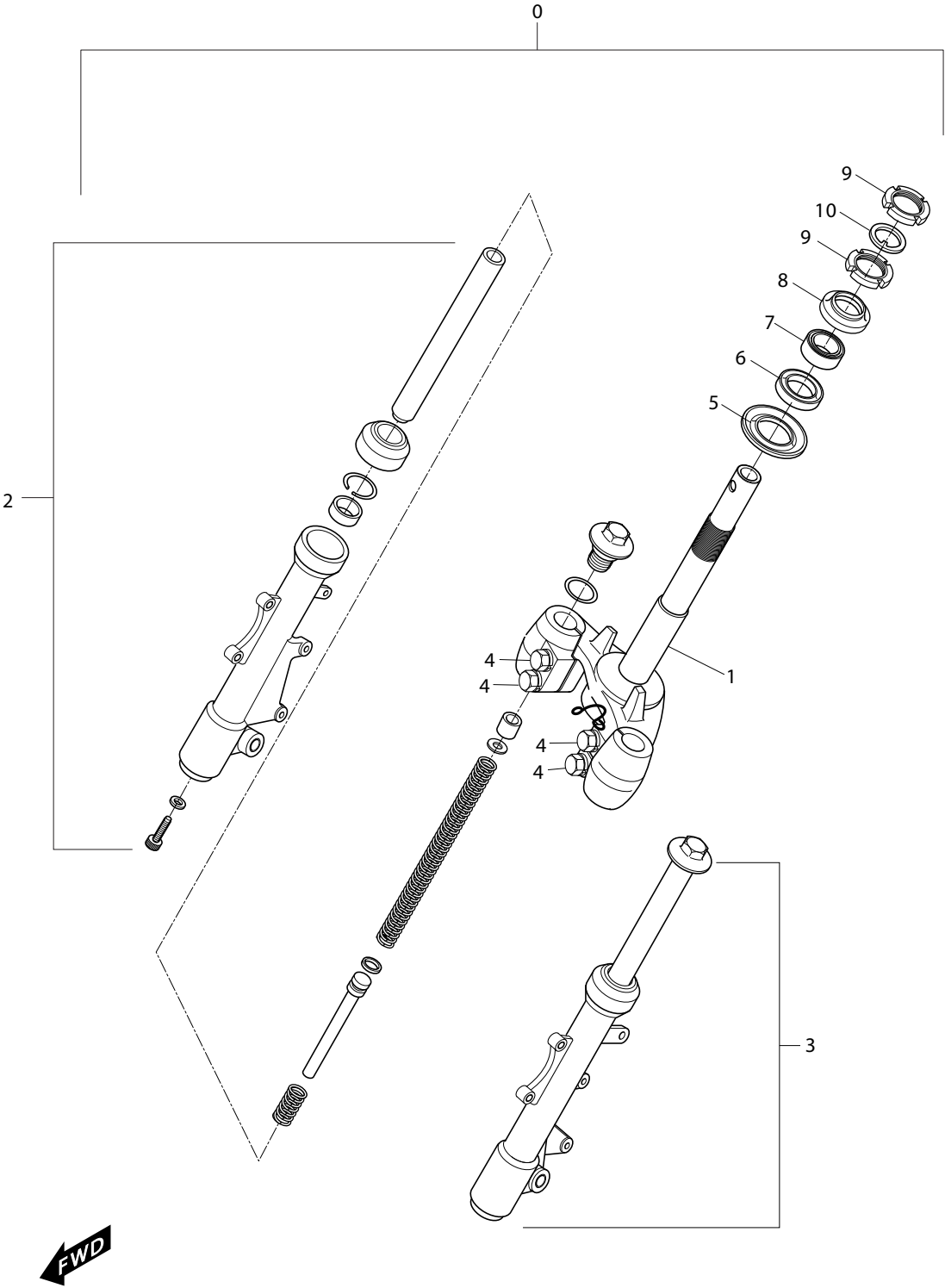
**FWD**

# FIG 33. LEG SHIELD REAR

| REF. PARTS NO. |                         |             |             | PARTS NAME                                | Q`TY | REMARKS | REC.Q`TY /      |
|----------------|-------------------------|-------------|-------------|---|------|---------|-----------------|
| NO.            | 7EU01/7FO01/7G001/7SO01 | SUS01-UM    | 7US01       |   |      |         | 100 Motorcycles |
| 1              | 48121HP7600             | 48121HP7600 | 48121HP7600 | SHILED, leg rear                          | 1    |         | 10              |
| 2              | 48147HP7600             | 48147HP7600 | 48147HP7600 | SHILED, leg lower rear R(OBN,ODS,OM       | 1    |         | 10              |
| 3              | 48157HP7600             | 48157HP7600 | 48157HP7600 | SHILED, leg lower rear L(OBN,ODS,OM       | 1    |         | 10              |
| 4              | 48137HP7600             | 48137HP7600 | 48137HP7600 | SHILED, leg lower front(OBN,ODS,OM        | 1    |         | 10              |
| 5              | 48131HP7600             | 48131HP7600 | 48131HP7600 | MAT, floor                                | 1    |         |                 |
| 6              | 44249HP7600             | 44249HP7600 | 44249HP7600 | COVER, fuel tank lower                    | 1    |         | 10              |
| 7              | 01517-06165             | 01517-06165 | 01517-06165 | BOLT, leg shield rear & frame             | 8    |         |                 |
| 8              | 09160-06056             | 09160-06056 | 09160-06056 | WASHER, leg shield rear & frame           | 8    |         |                 |
| 9              | 09106H06150             | 09106H06150 | 09106H06150 | SCREW, lwr l/shield rr r/l & lwr l/shield | 5    |         |                 |
| 10             | 09169H06078             | 09169H06078 | 09169H06078 | WASHER, lower l/shield rr r/l & frame     | 3    |         |                 |
| 11             | 09148H05029             | 09148H05029 | 09148H05029 | NUT, lwr leg shield ft & l/shield FT      | 4    |         |                 |
| 12             | 02142-06165             | 02142-06165 | 02142-06165 | SCREW, fuel tank lower cover              | 4    |         |                 |
| 13             | 09169-06034             | 09169-06034 | 09169-06034 | WASHER, fuel tank lower cover             | 4    |         |                 |
| 14             | 48128HP7600             | 48128HP7600 | 48128HP7600 | CUSHION, leg shield rear                  | 2    |         |                 |



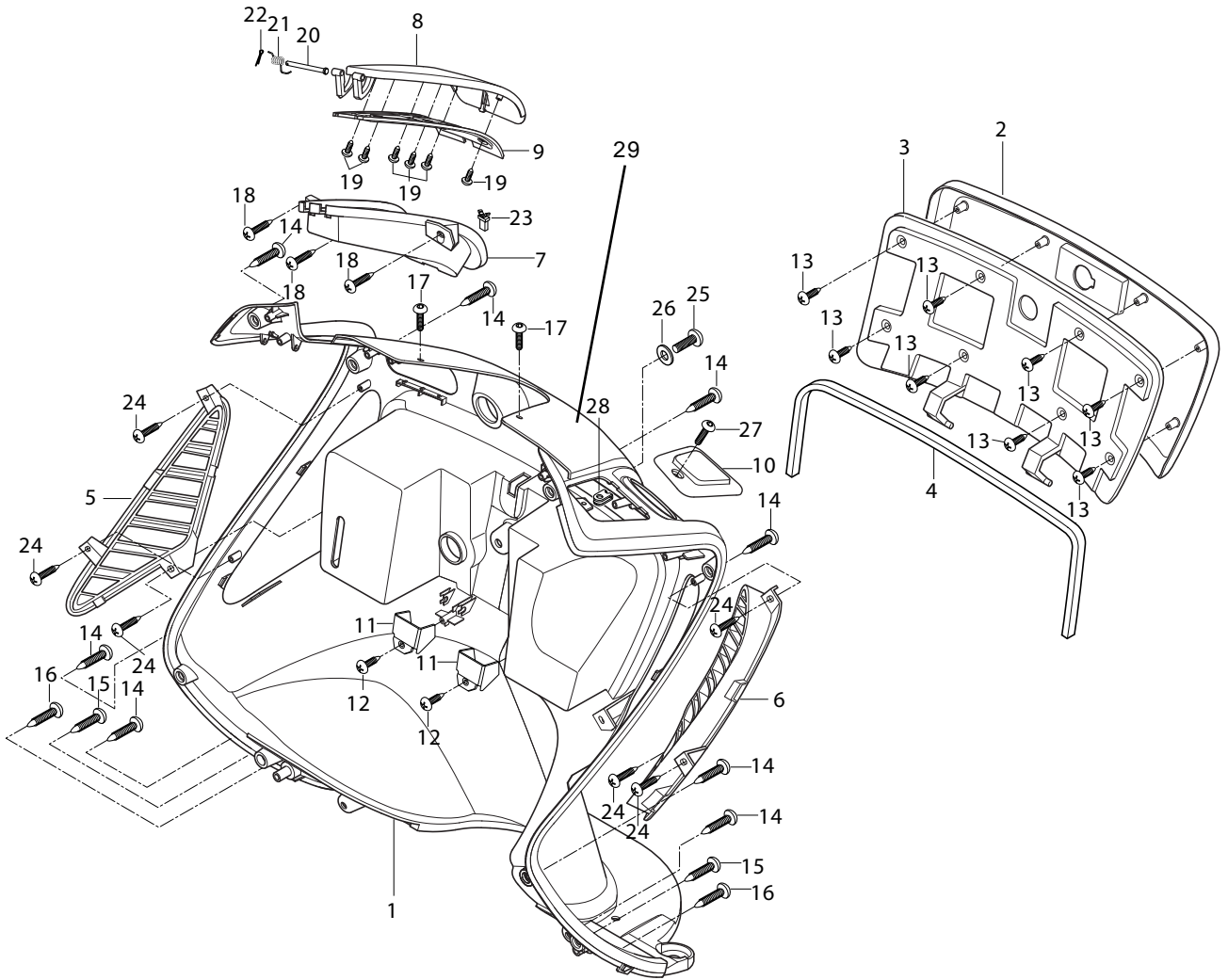
FIG.34



# FIG 34. FRONT FORK

| REF. PARTS NO. |                         |                |                | PARTS NAME                   | Q`TY | REMARKS | REC.Q`TY /      |
|----------------|-------------------------|----------------|----------------|------------------------------|------|---------|-----------------|
| NO.            | 7EU01/7FO01/7G001/7SO01 | SUS01-UM       | 7US01          |                              |      |         | 100 Motorcycles |
|                |                         |                |                |                              |      |         | (PCS)           |
| 0              | 51100HP7600HPA          | 51100HP7600HPA | 51100HP7600HPA | FRONT FORK ASS'Y             | 1    |         | 5               |
| 1              | 51410HP7600             | 51410HP7600    | 51410HP7600    | BRACKET COMP, under          | 1    |         |                 |
| 2              | 51210HP7600             | 51210HP7600    | 51210HP7600    | DAMPER ASS'Y, front fork R   | 1    |         | 5               |
| 3              | 51220HP7600             | 51220HP7600    | 51220HP7600    | DAMPER ASS'Y, front fork L   | 1    |         | 5               |
| 4              | 01137-08355             | 01137-08355    | 01137-08355    | BOLT, under bracket          | 4    |         |                 |
| 5              | 09164H35001             | 09164H35001    | 09164H35001    | WASHER, protector            | 1    |         |                 |
| 6              | 09265H35000             | 09265H35000    | 09265H35000    | BEARING, stem steering lower | 1    |         |                 |
| 7              | 08133-60067             | 08133-60067    | 08133-60067    | BEARING, stem steering upper | 1    |         |                 |
| 8              | 51160HP7600             | 51160HP7600    | 51160HP7600    | SPACER COMP, steering stem   | 1    |         |                 |
| 9              | 51631HP7600             | 51631HP7600    | 51631HP7600    | NUT, steering stem           | 2    |         |                 |
| 10             | 09166H30001             | 09166H30001    | 09166H30001    | WASHER, steering stem lock   | 1    |         |                 |

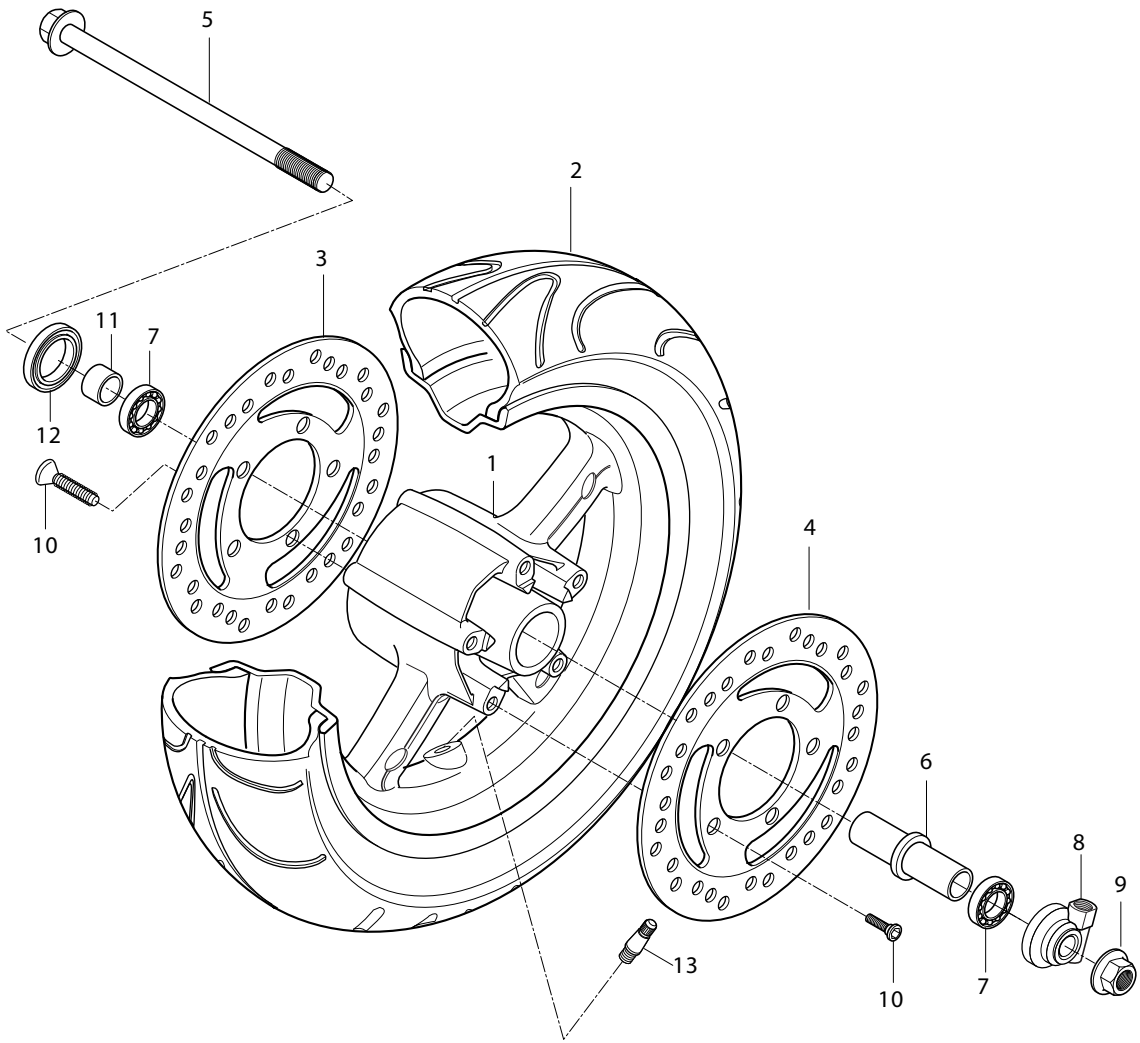
FIG.35



# FIG 35. LEG SHIELD COVER

| REF. PARTS NO.              |               |               |               | PARTS NAME                              | Q`TY | REMARKS | REC.Q`TY /      |
|-----------------------------|---------------|---------------|---------------|---|------|---------|-----------------|
| NO. 7EU01/7FO01/7G001/7SO01 |               | SUS01-UM      | 7US01         |   |      |         | 100 Motorcycles |
|                             |               |               |               |   |      |         | (PCS)           |
| 1                           | 92111HP7600   | 92111HP7600   | 92111HP7600   | COVER, leg shield                       | 1    |         | 10              |
| 2                           | 92211HP7600   | 92211HP7600   | 92211HP7600   | COVER, trunk box                        | 1    |         | 10              |
| 3                           | 92232HP7600   | 92232HP7600   | 92232HP7600   | COVER, trunk box inner                  | 1    |         | 10              |
| 4                           | 92116HP7600   | 92116HP7600   | 92116HP7600   | SEAL, trunk box                         | 1    |         |                 |
| 5                           | 92212HP7600   | 92212HP7600   | 92212HP7600   | GRILL, leg shield cover R               | 1    |         | 10              |
| 6                           | 92222HP7600   | 92222HP7600   | 92222HP7600   | GRILL, leg shield cover L               | 1    |         | 10              |
| 7                           | 92124HP7600   | 92124HP7600   | 92124HP7600   | BOX, reservoir tank                     | 1    |         | 10              |
| 8                           | 92122HP7600   | 92122HP7600   | 92122HP7600   | COVER, reservoir tank                   | 1    |         | 10              |
| 9                           | 92123HP7600   | 92123HP7600   | 92123HP7600   | COVER, reservoir tank inner             | 1    |         | 10              |
| 10                          | 92112HP7600   | 92112HP7600   | 92112HP7600   | COVER, radiator                         | 1    |         | 10              |
| 11                          | 92230HP7600   | 92230HP7600   | 92230HP7600   | PLATE COMP, trunk box cover             | 2    |         |                 |
| 12                          | 03241-04125   | 03241-04125   | 03241-04125   | SCREW, trunk box inner                  | 2    |         |                 |
| 13                          | 03241-04125   | 03241-04125   | 03241-04125   | SCREW, trunk box cov&trunk box cov i    | 8    |         |                 |
| 14                          | 03241-05165   | 03241-05165   | 03241-05165   | SCREW, leg shield cover & l/shield FT   | 8    |         |                 |
| 15                          | 02142-05305   | 02142-05305   | 02142-05305   | SCREW, l/shield cover & lwr l/shield FT | 2    |         |                 |
| 16                          | 02142-05165   | 02142-05165   | 02142-05165   | SCREW, l/shield cover & lwr l/shield FT | 2    |         |                 |
| 17                          | 09106H05150   | 09106H05150   | 09106H05150   | SCREW, s/meter rr cov & leg shield cov  | 2    |         |                 |
| 18                          | 03241-05125   | 03241-05125   | 03241-05125   | SCREW, reservoir tank box               | 3    |         |                 |
| 19                          | 03211-03085   | 03211-03085   | 03211-03085   | SCREW, reservoir tank cov & reservoir t | 6    |         |                 |
| 20                          | 09200H04001   | 09200H04001   | 09200H04001   | PIN                                     | 1    |         |                 |
| 21                          | 09448H05002   | 09448H05002   | 09448H05002   | SPRING, reservoir tank cover            | 1    |         |                 |
| 22                          | 09385H04001   | 09385H04001   | 09385H04001   | CLIP                                    | 1    |         |                 |
| 23                          | 92120HP7600   | 92120HP7600   | 92120HP7600   | LOCK ASS'Y, reservoir tank coveR        | 1    |         |                 |
| 24                          | 03241-04125   | 03241-04125   | 03241-04125   | SCREW, leg shield cover grill R/L       | 6    |         |                 |
| 25                          | 09106H06150   | 09106H06150   | 09106H06150   | SCREW, leg shield cover & frame         | 1    |         |                 |
| 26                          | 09169H06078   | 09169H06078   | 09169H06078   | WASHER, leg shield cover & frame        | 1    |         |                 |
| 27                          | 09106H05150   | 09106H05150   | 09106H05150   | SCREW, radiator cover                   | 1    |         |                 |
| 28                          | 09148H05029   | 09148H05029   | 09148H05029   | NUT, radiator cover                     | 1    |         |                 |
| 29                          | 68319HP7650PL | 68319HP7650PL | 68319HP7650PL | LABEL,CAUTION.1-7EU01,SUS01,7U          | 1    |         |                 |
|                             | 68319HP7660PL |               |               | LABEL,CAUTION.1-7G01                    | 1    |         |                 |
|                             | 68319HP7680PL |               |               | LABEL,CAUTION.1-7S01                    | 1    |         |                 |
|                             | 68319HP7690PL |               |               | LABEL,CAUTION.1-7F01                    | 1    |         |                 |

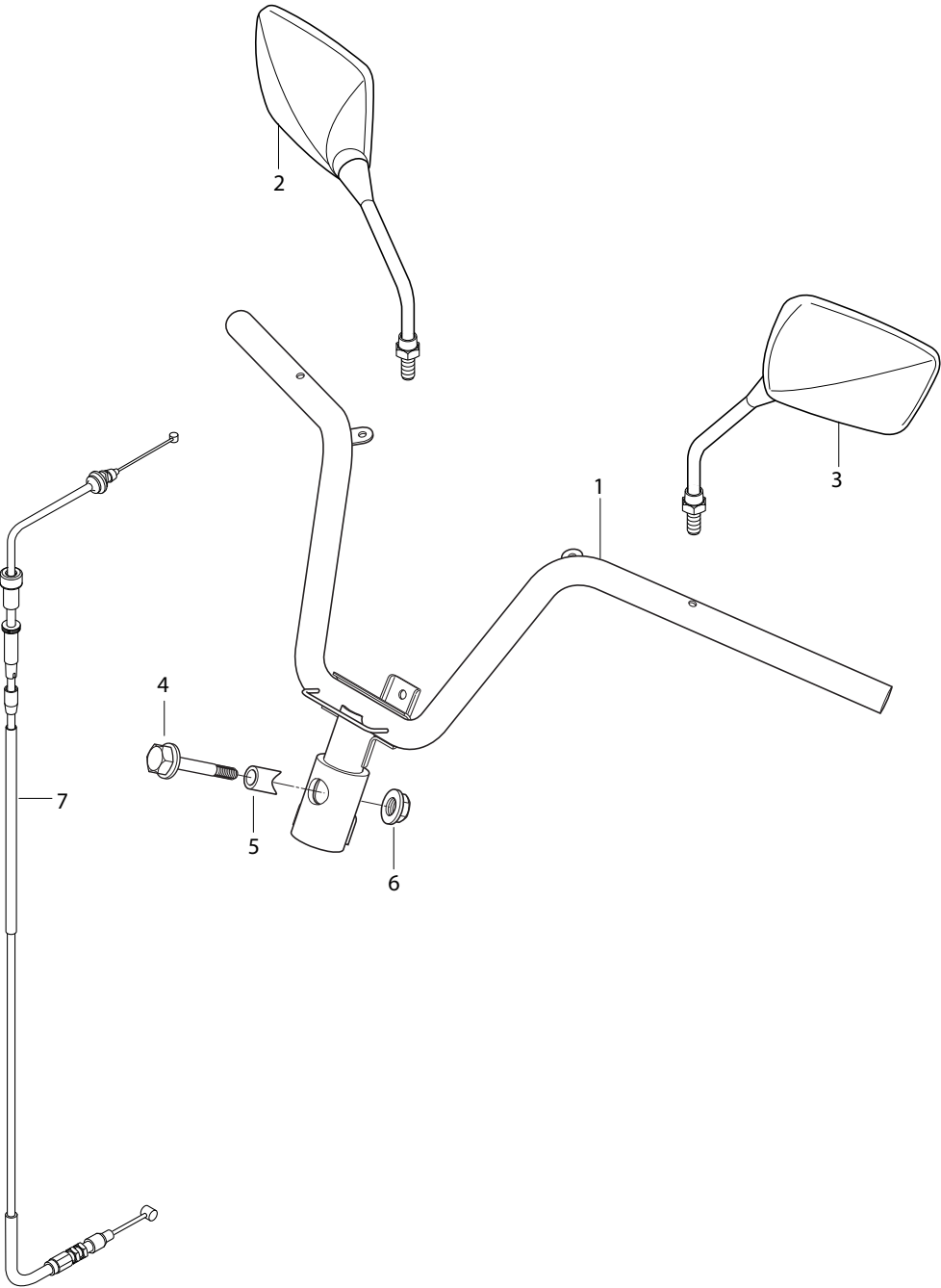
FIG.36



# FIG 36. FRONT WHEEL

| REF. PARTS NO. |                         |                |                | PARTS NAME                        | Q`TY | REMARKS | REC.Q'TY /      |
|----------------|-------------------------|----------------|----------------|-----------------------------------|------|---------|-----------------|
| NO.            | 7EU01/7FO01/7G001/7SO01 | SUS01-UM       | 7US01          |                                   |      |         | 100 Motorcycles |
| 1              | 54141HP7600HPA          | 54141HP7600HPA | 54141HP7600HPA | WHEEL, front (3.50 x13)+bg+spacer | 1    |         | 2               |
| 2              | 55109HP7600             | 55109HP7600    | 55109HP7600    | TIRE COMP, front 120/70-13 63S    | 1    |         | 5               |
| 3              | 59221HP7600             | 59221HP7600    | 59221HP7600    | DISC, front brake R               | 1    |         | 5               |
| 4              | 59211HP7600             | 59211HP7600    | 59211HP7600    | DISC, front brake L               | 1    |         | 5               |
| 5              | 54711HP7600             | 54711HP7600    | 54711HP7600    | AXLE, front                       | 1    |         | 5               |
| 6              | 54731HP7600             | 54731HP7600    | 54731HP7600    | SPACER, front hub                 | 1    |         |                 |
| 7              | 08134-63027             | 08134-63027    | 08134-63027    | BEARING, front wheel R/L          | 2    |         |                 |
| 8              | 54600HP7600             | 54600HP7600    | 54600HP7600    | BOX ASS'Y, speedometer gear       | 1    |         | 10              |
| 9              | 09159H14008             | 09159H14008    | 09159H14008    | NUT, front axle                   | 1    |         |                 |
| 10             | 59421-03A01             | 59421-03A01    | 59421-03A01    | BOLT, front brake disc            | 10   |         |                 |
| 11             | 54741HP7600             | 54741HP7600    | 54741HP7600    | SPACER, front axle R              | 1    |         |                 |
| 12             | 09283H25002             | 09283H25002    | 09283H25002    | OIL SEAL, front wheel R           | 1    |         |                 |
| 13             | 55220-29C20             | 55220-29C20    | 55220-29C20    | VALVE ASS'Y, wheel rim            | 1    |         |                 |

FIG.37

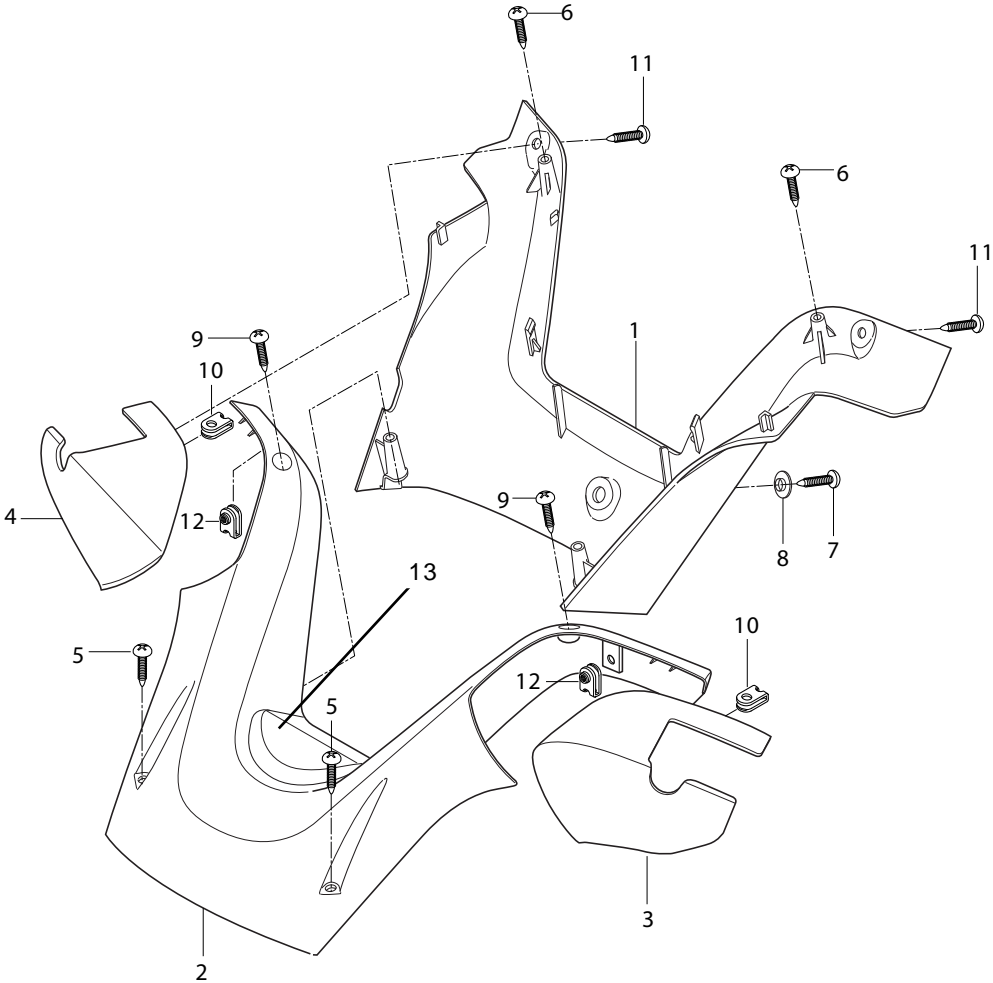


# FIG 37. HANDLE BAR

| REF. PARTS NO.              |             |             |             | PARTS NAME                | Q`TY | REMARKS | REC.Q'TY /      |
|-----------------------------|-------------|-------------|-------------|---------------------------|------|---------|-----------------|
| NO. 7EU01/7FO01/7G001/7SO01 |             | SUS01-UM    | 7US01       |                           |      |         | 100 Motorcycles |
| 1                           | 56110HP7600 | 56110HP7600 | 56110HP7600 | HANDLEBAR COMP            | 1    |         | 5               |
| 1-A                         | 56501HP7600 | 56501HS8860 | 56501HS8860 | MIRROR SET, R+L           | 1    |         | 10              |
| 2                           | 56500HP7600 | 56500HS8860 | 56500HS8860 | MIRROR ASS'Y, rear view R | 1    |         | 5               |
| 3                           | 56600HP7600 | 56600HS8860 | 56600HS8860 | MIRROR ASS'Y, rear view L | 1    |         | 5               |
| 4                           | 09103H10230 | 09103H10230 | 09103H10230 | BOLT, handlebar set       | 1    |         |                 |
| 5                           | 56213HP7600 | 56213HP7600 | 56213HP7600 | SPACER, handlebar set     | 1    |         |                 |
| 6                           | 08319-31108 | 08319-31108 | 08319-31108 | NUT, handle bar set       | 1    |         |                 |
| 7                           | 58300HP8800 | 58300HP8800 | 58300HP8800 | CABLE ASS'Y, throttle     | 1    |         | 8               |
| 8                           |             | 09471-12115 | 09471-12115 | BULB, 16W                 | 2    |         |                 |
| 9                           |             | 35612HS8860 | 35612HS8860 | LENS, FRONT TURN RH       | 1    |         |                 |
| 10                          |             | 35632HS8860 | 35632HS8860 | LENS, FRONT TURN LH       | 1    |         |                 |



FIG.38

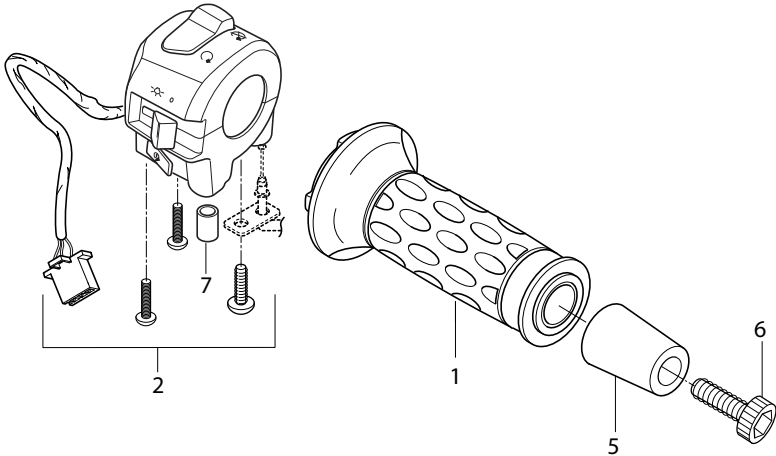
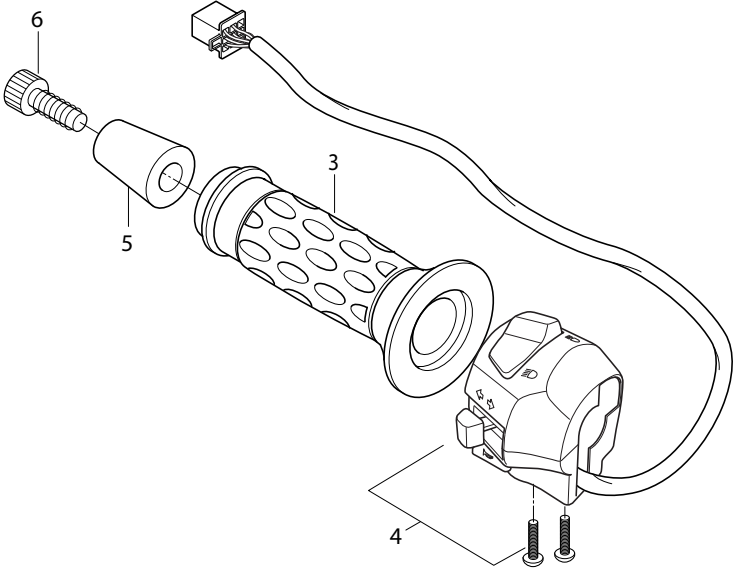


# FIG 38. HANDLE COVER

| REF. PARTS NO. |                         |             |             | PARTS NAME                            | Q`TY | REMARKS | REC.Q`TY /      |
|----------------|-------------------------|-------------|-------------|---------------------------------------|------|---------|-----------------|
| NO.            | 7EU01/7FO01/7G001/7SO01 | SUS01-UM    | 7US01       |                                       |      |         | 100 Motorcycles |
|                |                         |             |             |                                       |      |         | (PCS)           |
| 1              | 56321HP7600             | 56321HP7600 | 56321HP7600 | COVER, handle rear                    | 1    |         | 10              |
| 2              | 56311HP7600             | 56311HP7600 | 56311HP7600 | COVER, handle front                   | 1    |         | 10              |
| 3              | 56313HP7600             | 56313HP7600 | 56313HP7600 | COVER, handle front L                 | 1    |         | 10              |
| 4              | 56312HP7600             | 56312HP7600 | 56312HP7600 | COVER, handle front R                 | 1    |         | 10              |
| 5              | 03241-05166             | 03241-05166 | 03241-05166 | SCREW, handle cov rr & handle cov FT  | 2    |         |                 |
| 6              | 03241-05126             | 03241-05126 | 03241-05126 | SCREW, handle bar & handle cov rear   | 2    |         |                 |
| 7              | 02142-06165             | 02142-06165 | 02142-06165 | SCREW, handle cov rr center           | 1    |         |                 |
| 8              | 09169-06034             | 09169-06034 | 09169-06034 | WASHER, handle cover rr center        | 1    |         |                 |
| 9              | 03241-04166             | 03241-04166 | 03241-04166 | SCREW, handle cover ft & ft r/l cover | 2    |         |                 |
| 10             | 09148-04024             | 09148-04024 | 09148-04024 | NUT, handle cover ft & ft r/l cover   | 2    |         |                 |
| 11             | 02142-05125             | 02142-05125 | 02142-05125 | SCREW, handle cov rr & handle cov FT  | 2    |         |                 |
| 12             | 09148H05029             | 09148H05029 | 09148H05029 | NUT, handle cover ft & rr cover       | 2    |         |                 |
| 13             | 68140HP7600             |             | 68140HP7600 | EMBLEM, HYOSUNG                       | 1    |         |                 |
| 13             |                         | 68140H78870 |             | EMBLEM, UM                            | 1    |         |                 |

FIG.39

FWD

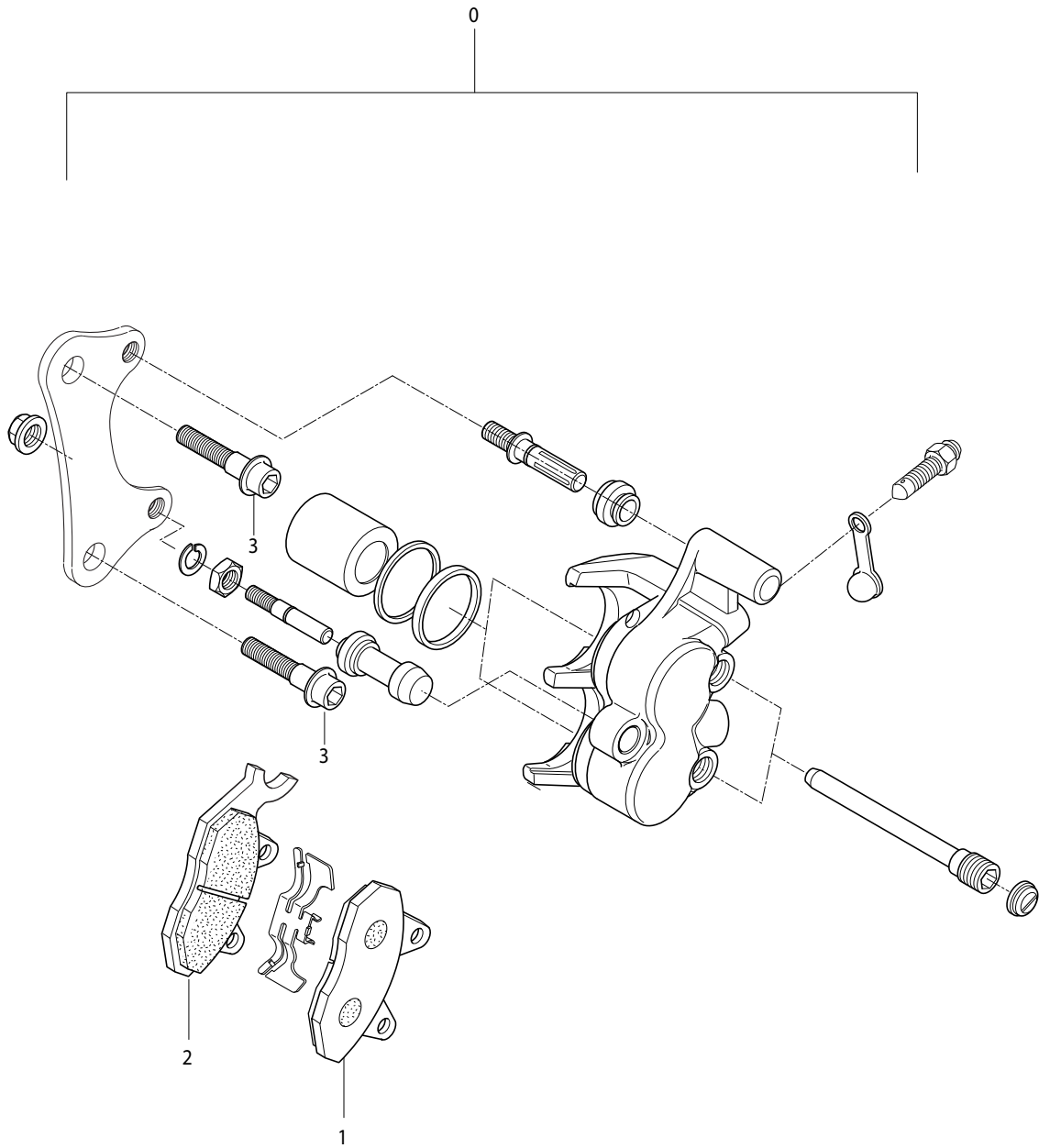


# FIG 39. HANDLE SWITCH

| REF. PARTS NO. |                         |             |             | PARTS NAME               | Q`TY | REMARKS | REC.Q`TY /      |
|----------------|-------------------------|-------------|-------------|--------------------------|------|---------|-----------------|
| NO.            | 7EU01/7FO01/7G001/7SO01 | SUS01-UM    | 7US01       |                          |      |         | 100 Motorcycles |
|                |                         |             |             |                          |      |         | (PCS)           |
| 1              | 57110HG5803             | 57110HG5803 | 57110HG5803 | GRIP COMP, throttle      | 1    |         | 8               |
| 2              | 37200HP7601             | 37200HP7601 | 37200HP7601 | SWITCH ASSY, handle R    | 1    | 점검요     | 8               |
| 3              | 57211HG5800             | 57211HG5800 | 57211HG5800 | GRIP, L                  | 1    |         | 8               |
| 4              | 37400HP7601             | 37400HP7601 | 37400HP7601 | SWITCH ASSY, handle L    | 1    | 점검요     | 8               |
| 5              | 56271HP7600             | 56271HP7600 | 56271HP7600 | BALANCER, handlebar      | 2    |         | 5               |
| 6              | 07110-06408             | 07110-06408 | 07110-06408 | BOLT, handlebar balancer | 2    |         |                 |
| 7              | 37281HN3201             | 37281HN3201 | 37281HN3201 | BOSS, handle switch R    | 1    | 점검요     | 5               |

# front-LH

FIG.40

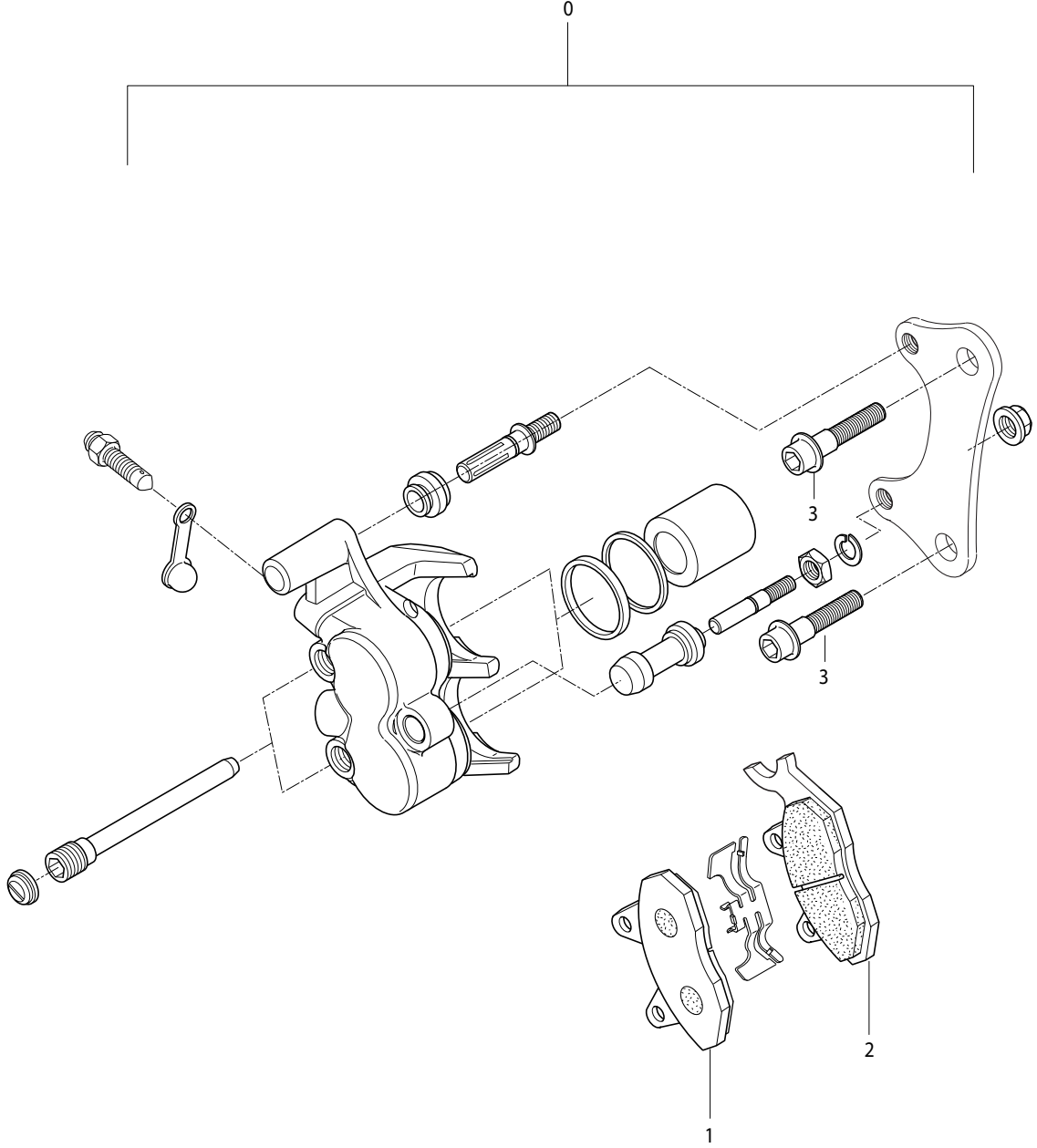


# FIG 40. FRONT CALIPER LH

| REF. PARTS NO. |                         |             |             | PARTS NAME                     | Q`TY | REMARKS  | REC.Q`TY /<br>100 Motorcycles |
|----------------|-------------------------|-------------|-------------|--------------------------------|------|----------|-------------------------------|
| NO.            | 7EU01/7FO01/7G001/7SO01 | SUS01-UM    | 7US01       |                                |      |          | (PCS)                         |
| 0              | 59300HP7600             | 59300HP7600 | 59300HP7600 | CALIPER ASS'Y, front L         | 1    |          | 7                             |
| 1-A            | 59301HP7600             | 59301HP7600 | 59301HP7600 | PAD SET, 1+2                   | 1    |          | 30                            |
| 1              | 59311HP7600             | 59311HP7600 | 59311HP7600 | PAD COMP, front brake outter L | 1    | NOT SALE |                               |
| 2              | 59312HP7600             | 59312HP7600 | 59312HP7600 | PAD COMP, front brake inner L  | 1    | NOT SALE |                               |
| 3              | 07120-08308             | 07120-08308 | 07120-08308 | BOLT, caliper                  | 2    |          |                               |

# front RH

FIG.40-1

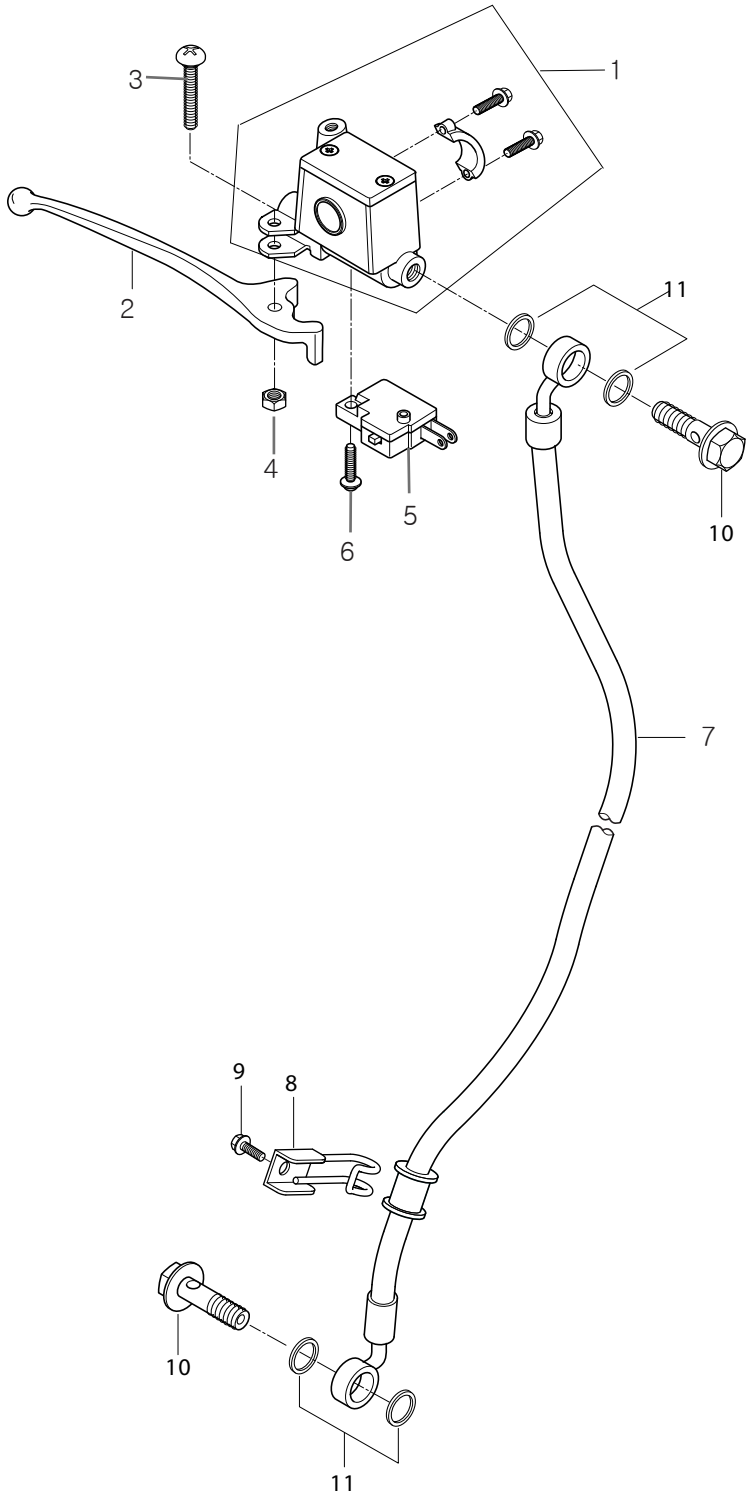


# FIG 40-1. FRONT CALIPER RH

| REF. PARTS NO. |                         |             |             | PARTS NAME                     | Q`TY | REMARKS  | REC.Q`TY /<br>100 Motorcycles |
|----------------|-------------------------|-------------|-------------|--------------------------------|------|----------|-------------------------------|
| NO.            | 7EU01/7FO01/7G001/7SO01 | SUS01-UM    | 7US01       |                                |      |          | (PCS)                         |
| 0              | 59400HP7600             | 59400HP7600 | 59400HP7600 | CALIPER ASS'Y, front R         | 1    |          | 7                             |
| 1-A            | 59401HP7600             | 59401HP7600 | 59401HP7600 | PAD SET 1+2                    | 1    |          | 30                            |
| 1              | 59411HP7600             | 59411HP7600 | 59411HP7600 | PAD COMP, front brake outter R | 1    | NOT SALE |                               |
| 2              | 59312HP7600             | 59312HP7600 | 59312HP7600 | PAD COMP, front brake inner R  | 1    | NOT SALE |                               |
| 3              | 07120-08308             | 07120-08308 | 07120-08308 | BOLT, caliper                  | 2    |          |                               |



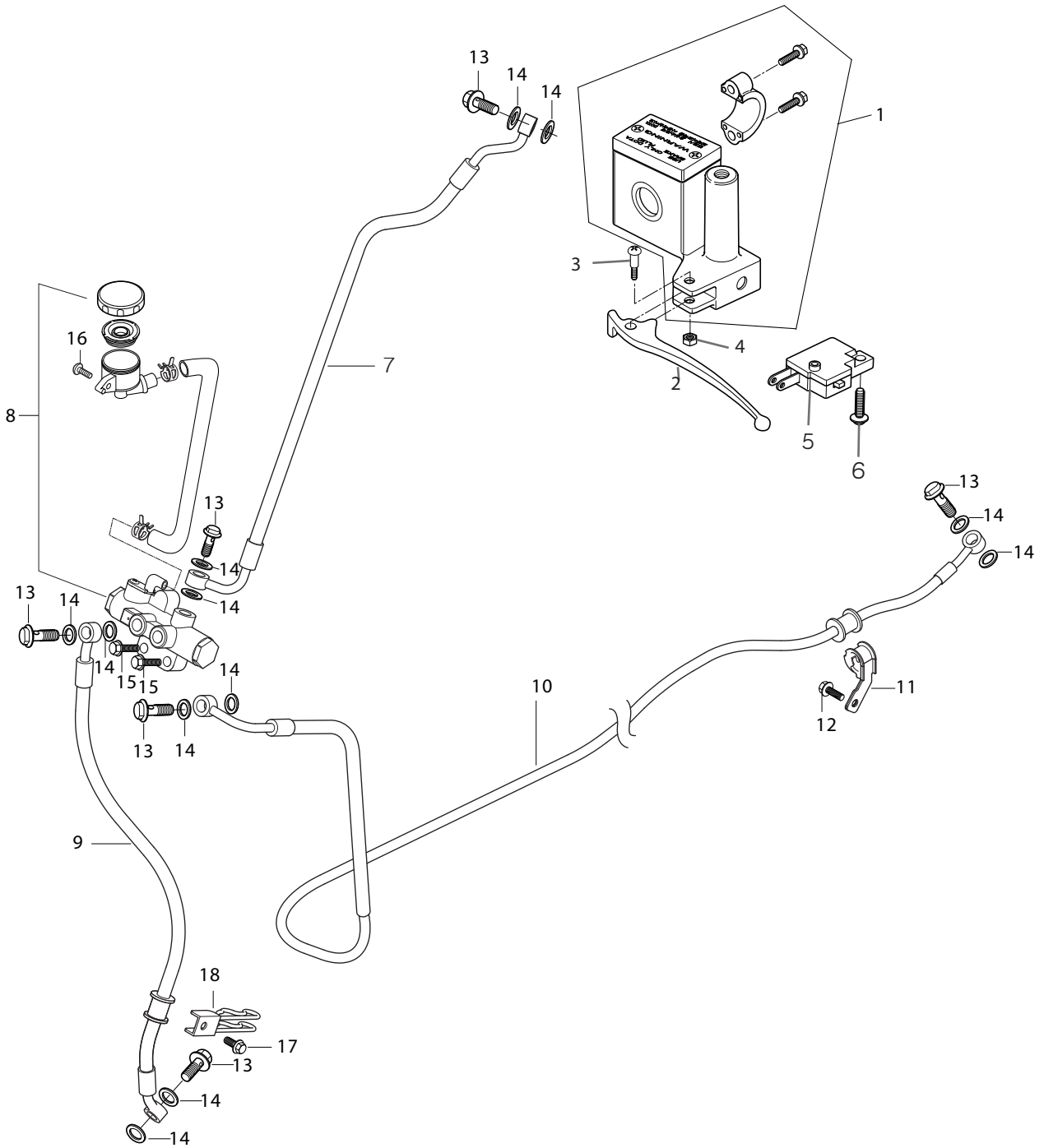
FIG.41



# FIG 41. FRONT MASTER CYLINDER

| REF. PARTS NO. |                         |             |             | PARTS NAME                  | Q`TY | REMARKS | REC.Q`TY /      |
|----------------|-------------------------|-------------|-------------|-----------------------------|------|---------|-----------------|
| NO.            | 7EU01/7FO01/7G001/7SO01 | SUS01-UM    | 7US01       |                             |      |         | 100 Motorcycles |
|                |                         |             |             |                             |      |         | (PCS)           |
| 1              | 59609HP7600             | 59609HP7600 | 59609HP7600 | CYLINDER ASSY, front master | 1    |         | 5               |
| 2              | 57421HP7600             | 57421HP7600 | 57421HP7600 | LEVER, brake R              | 1    |         | 10              |
| 3              | 57431HP7600             | 57431HP7600 | 57431HP7600 | BOLT, brake lever           | 1    |         |                 |
| 4              | 58319-21068             | 58319-21068 | 58319-21068 | NUT, brake lever            | 1    |         |                 |
| 5              | 37740HP7600             | 37740HP7600 | 37740HP7600 | SWITCH ASS'Y, stop          | 1    |         | 10              |
| 6              | 02112-74108             | 02112-74108 | 02112-74108 | BOLT, stop switch           | 1    |         |                 |
| 7              | 59460HP7600             | 59460HP7600 | 59460HP7600 | HOSE COMP, front brake R    | 1    |         |                 |
| 8              | 59270HP7600             | 59270HP7600 | 59270HP7600 | CLAMP COMP, ft brake hose R | 1    |         |                 |
| 9              | 01517-06125             | 01517-06125 | 01517-06125 | SCREW, brake hose clamp     | 1    |         |                 |
| 10             | 09360-10039             | 09360-10039 | 09360-10039 | BOLT, brake fluid           | 2    |         |                 |
| 11             | 09161-10005             | 09161-10005 | 09161-10005 | WASHER, brake fluid         | 4    |         |                 |

FIG.41-1

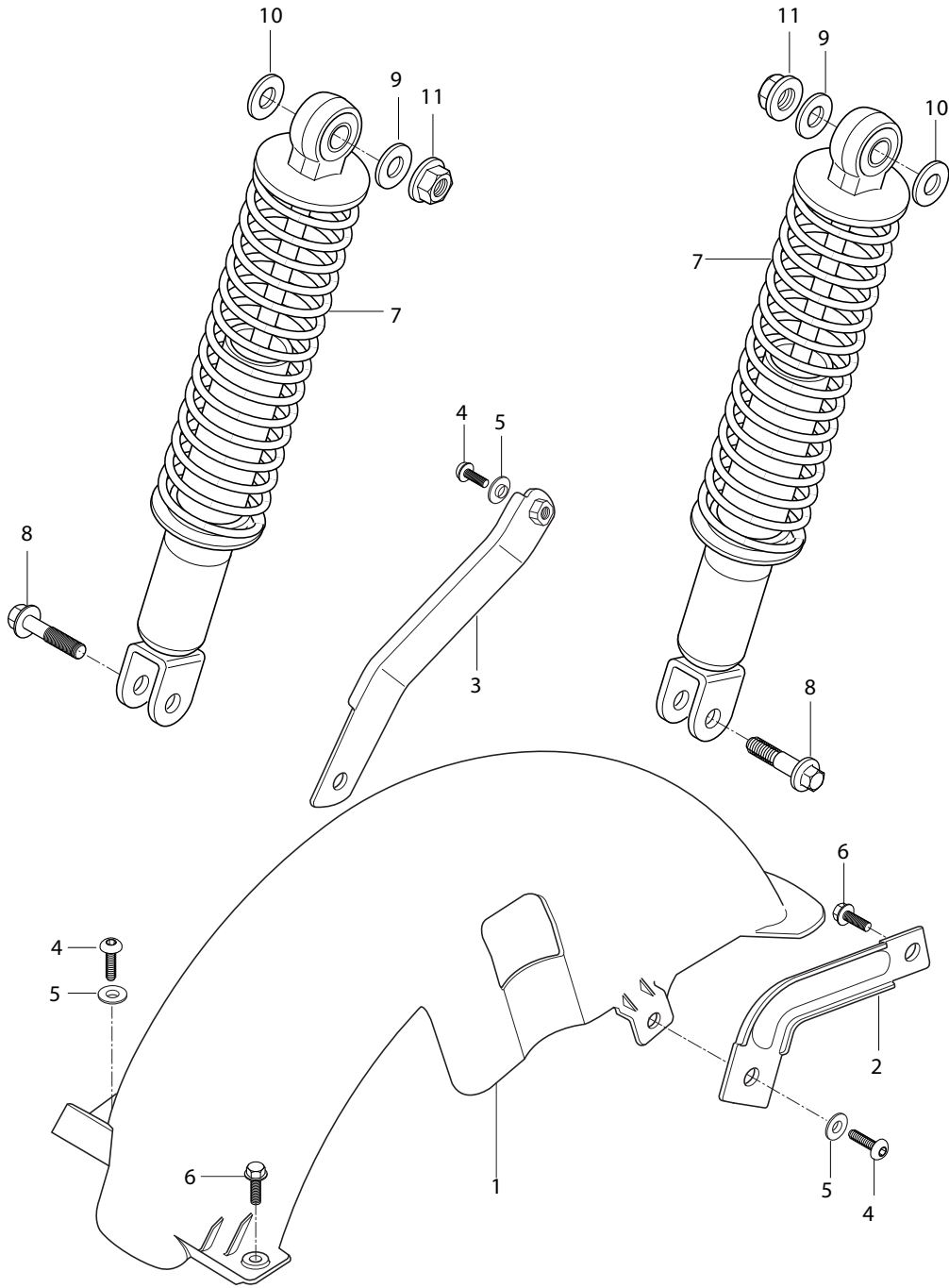


**FWD**

# FIG 41-1. REAR MASTER CYLINDER

| REF. PARTS NO. |                         |             |             | PARTS NAME                           | Q`TY | REMARKS | REC.Q`TY /      |
|----------------|-------------------------|-------------|-------------|--------------------------------------|------|---------|-----------------|
| NO.            | 7EU01/7FO01/7G001/7SO01 | SUS01-UM    | 7US01       |                                      |      |         | 100 Motorcycles |
|                |                         |             |             |                                      |      |         | (PCS)           |
| 1              | 69609HP7601             | 69609HP7601 | 69609HP7601 | CYLINDER ASSY, rear master           | 1    |         | 5               |
| 2              | 57621HP7600             | 57621HP7600 | 57621HP7600 | LEVER, brake rr                      | 1    |         | 10              |
| 3              | 57431HP7600             | 57431HP7600 | 57431HP7600 | BOLT, brake lever                    | 1    |         |                 |
| 4              | 58319-21068             | 58319-21068 | 58319-21068 | NUT, brake lever                     | 1    |         |                 |
| 5              | 57460HP7600             | 57460HP7600 | 57460HP7600 | SWITCH ASS'Y, stop                   | 1    |         | 10              |
| 6              | 02112-74108             | 02112-74108 | 02112-74108 | BOLT, stop switch                    | 1    |         |                 |
| 7              | 59470HP7600             | 59470HP7600 | 59470HP7600 | HOSE COMP, rr brake m/cylinder       | 1    |         |                 |
| 8              | 56530HP7600             | 56530HP7600 | 56530HP7600 | VALVE ASS'Y, pressure control        | 1    |         |                 |
| 9              | 59460HP7600             | 59460HP7600 | 59460HP7600 | HOSE COMP, front brake R             | 1    |         |                 |
| 10             | 69480HP7601             | 69480HP7601 | 69480HP7601 | HOSE COMP, rear brake                | 1    |         |                 |
| 11             | 61511HP7600             | 61511HP7600 | 61511HP7600 | CLAMP, rear brake hose               | 1    |         |                 |
| 12             | 02142-06165             | 02142-06165 | 02142-06165 | SCREW, rear brake hose clamp         | 1    |         |                 |
| 13             | 09360-10039             | 09360-10039 | 09360-10039 | BOLT, brake fluid                    | 6    |         |                 |
| 14             | 09161-10005             | 09161-10005 | 09161-10005 | WASHER, brake fluid                  | 12   |         |                 |
| 15             | 07120-08208             | 07120-08208 | 07120-08208 | BOLT, pressure control valve         | 2    |         |                 |
| 16             | 01517-06125             | 01517-06125 | 01517-06125 | BOLT, pvc reservoir tank             | 1    |         |                 |
| 17             | 59260HP7600             | 59260HP7600 | 59260HP7600 | CLAMP COMP, ft brake hose l & s/mete | 1    |         |                 |
| 18             | 01517-06125             | 01517-06125 | 01517-06125 | SCREW, brake hose clamp              | 1    |         |                 |

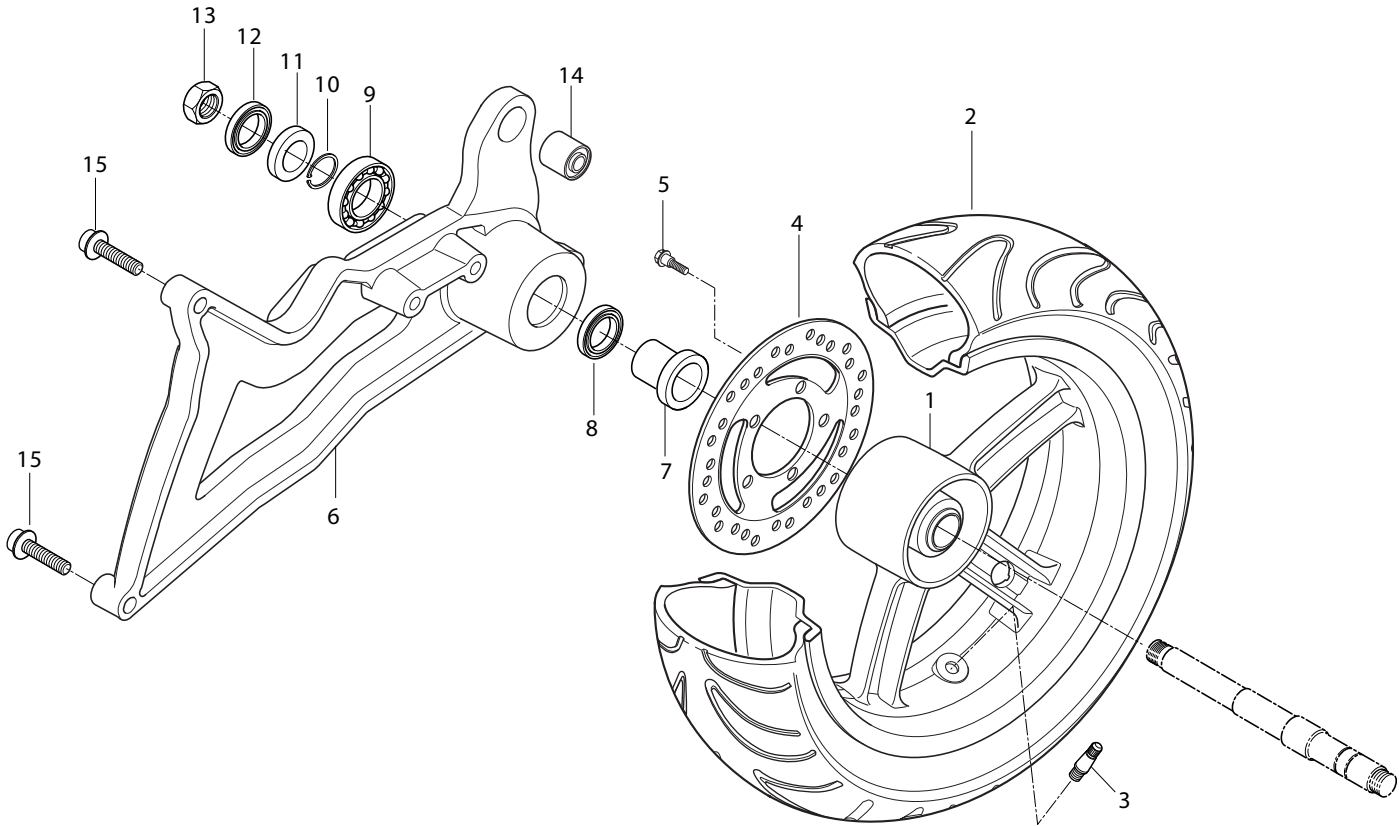
FIG.42



# FIG 42. REAR SHOCK ABSORBER

| REF. PARTS NO. |                         |             |             | PARTS NAME                            | Q`TY | REMARKS | REC.Q'TY /      |
|----------------|-------------------------|-------------|-------------|---------------------------------------|------|---------|-----------------|
| NO.            | 7EU01/7FO01/7G001/7SO01 | SUS01-UM    | 7US01       |                                       |      |         | 100 Motorcycles |
| 1              | 63115HP7600             | 63115HP7600 | 63115HP7600 | REAR FENDER, front                    | 1    |         | <b>10</b>       |
| 2              | 63360HP7600             | 63360HP7600 | 63360HP7600 | BRKT COMP, rr fender ft LH            | 1    |         |                 |
| 3              | 63260HP7600             | 63260HP7600 | 63260HP7600 | BRKT COMP, rr fender ft RH            | 1    |         |                 |
| 4              | 09106H06150             | 09106H06150 | 09106H06150 | SCREW, rr fender ft                   | 3    |         |                 |
| 5              | 09169H06078             | 09169H06078 | 09169H06078 | WASHER, rr fender ft                  | 3    |         |                 |
| 6              | 01517-06165             | 01517-06165 | 01517-06165 | BOLT, rr fender ft                    | 2    |         |                 |
| 7              | 62100HP7601             | 62100HP7601 | 62100HP7601 | ABSORBER ASS'Y, rear shock            | 2    |         | <b>5</b>        |
| 8              | 61181-02C00             | 61181-02C00 | 61181-02C00 | BOLT, rear shock absorber lower       | 2    |         |                 |
| 9              | 09160-10001             | 09160-10001 | 09160-10001 | WASHER, rr shock absorber upper       | 2    |         |                 |
| 10             | 08322-21128             | 08322-21128 | 08322-21128 | WASHER, rr shock absorber inner upper | 2    |         |                 |
| 11             | 08319-31108             | 08319-31108 | 08319-31108 | NUT, rear shock absorber uppeR        | 2    |         |                 |

FIG.43

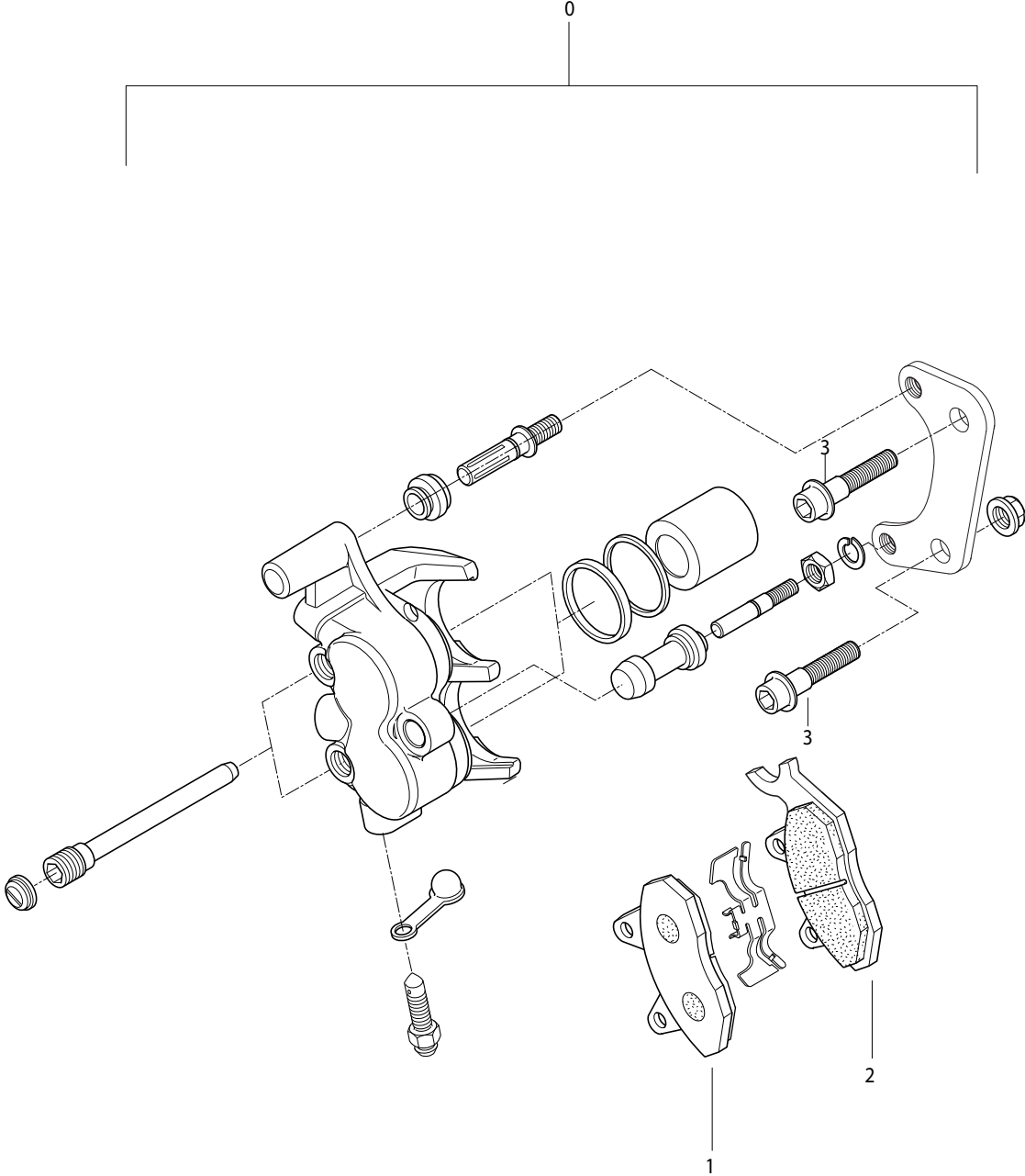


# FIG 43. REAR WHEEL

| REF. PARTS NO. |                         |                |                | PARTS NAME                           | Q`TY | REMARKS | REC.Q`TY /      |
|----------------|-------------------------|----------------|----------------|--------------------------------------|------|---------|-----------------|
| NO.            | 7EU01/7FO01/7G001/7SO01 | SUS01-UM       | 7US01          |                                      |      |         | 100 Motorcycles |
| 1              | 64150HP7600HPA          | 64150HP7600HPA | 64150HP7600HPA | WHEEL COMP, rear 4.00 ×14+bg+space   | 1    |         | 2               |
| 2              | 65109HP7600             | 65109HP7600    | 65109HP7600    | TIRE COMP, rear 140/60-14 64S        | 1    |         | 5               |
| 3              | 55220-29C20             | 55220-29C20    | 55220-29C20    | VALVE ASS'Y, wheel rim               | 1    |         | 10              |
| 4              | 69211HP7600             | 69211HP7600    | 69211HP7600    | DISC, rear brake                     | 1    |         |                 |
| 5              | 59421-03A01             | 59421-03A01    | 59421-03A01    | BOLT, rear disc                      | 5    |         |                 |
| 6              | 62311HP7600HPA          | 62311HP7600HPA | 62311HP7600HPA | ARM ASS'Y, rear suspension           | 1    |         |                 |
| 7              | 64731HP7600             | 64731HP7600    | 64731HP7600    | SPACER, rear axle R                  | 1    |         |                 |
| 8              | 09285H35001             | 09285H35001    | 09285H35001    | DUST SEAL, rr sus arm bearing outter | 1    |         |                 |
| 9              | 08130-62047             | 08130-62047    | 08130-62047    | BEARING, rear sus arm                | 1    |         |                 |
| 10             | 08331-41479             | 08331-41479    | 08331-41479    | CIRCLIP, rear sus arm                | 1    |         |                 |
| 11             | 64753HP7600             | 64753HP7600    | 64753HP7600    | SPACER, rr suspension arm            | 1    |         |                 |
| 12             | 09284-21001             | 09284-21001    | 09284-21001    | DUST SEAL, rr sus arm bearing inner  | 1    |         |                 |
| 13             | 09159H16002             | 09159H16002    | 09159H16002    | NUT, rear axle                       | 1    |         |                 |
| 14             | 09319-10032             | 09319-10032    | 09319-10032    | BUSH, rear sus arm                   | 1    |         |                 |
| 15             | 07110-10358             | 07110-10358    | 07110-10358    | BOLT, rear sus arm & crankcase R     | 1    |         |                 |



FIG.44



# FIG 44. REAR CALIPER

| REF. PARTS NO. |                         | PARTS NAME  |             |                             | Q`TY | REMARKS  | REC.Q`TY /<br>100 Motorcycles |
|----------------|-------------------------|-------------|-------------|-----------------------------|------|----------|-------------------------------|
| NO.            | 7EU01/7FO01/7G001/7SO01 | SUS01-UM    | 7US01       |                             |      |          | (PCS)                         |
| 0              | 69300HP7600             | 69300HP7600 | 69300HP7600 | CALIPER ASS'Y, rear brake   | 1    |          | 7                             |
| 1-A            | 59401HP7600             | 59401HP7600 | 59401HP7600 | PAD SET 1+2                 | 1    |          | 30                            |
| 1              | 59411HP7600             | 59411HP7600 | 59411HP7600 | PAD COMP, rear brake outter | 1    | NOT SALE |                               |
| 2              | 59312HP7600             | 59312HP7600 | 59312HP7600 | PAD COMP, rear brake inner  | 1    | NOT SALE |                               |
| 3              | 07110-08358             | 07110-08358 | 07110-08358 | BOLT, rear caliper          | 2    |          |                               |

# PART NUMBER FOR MS3-250 LABEL

